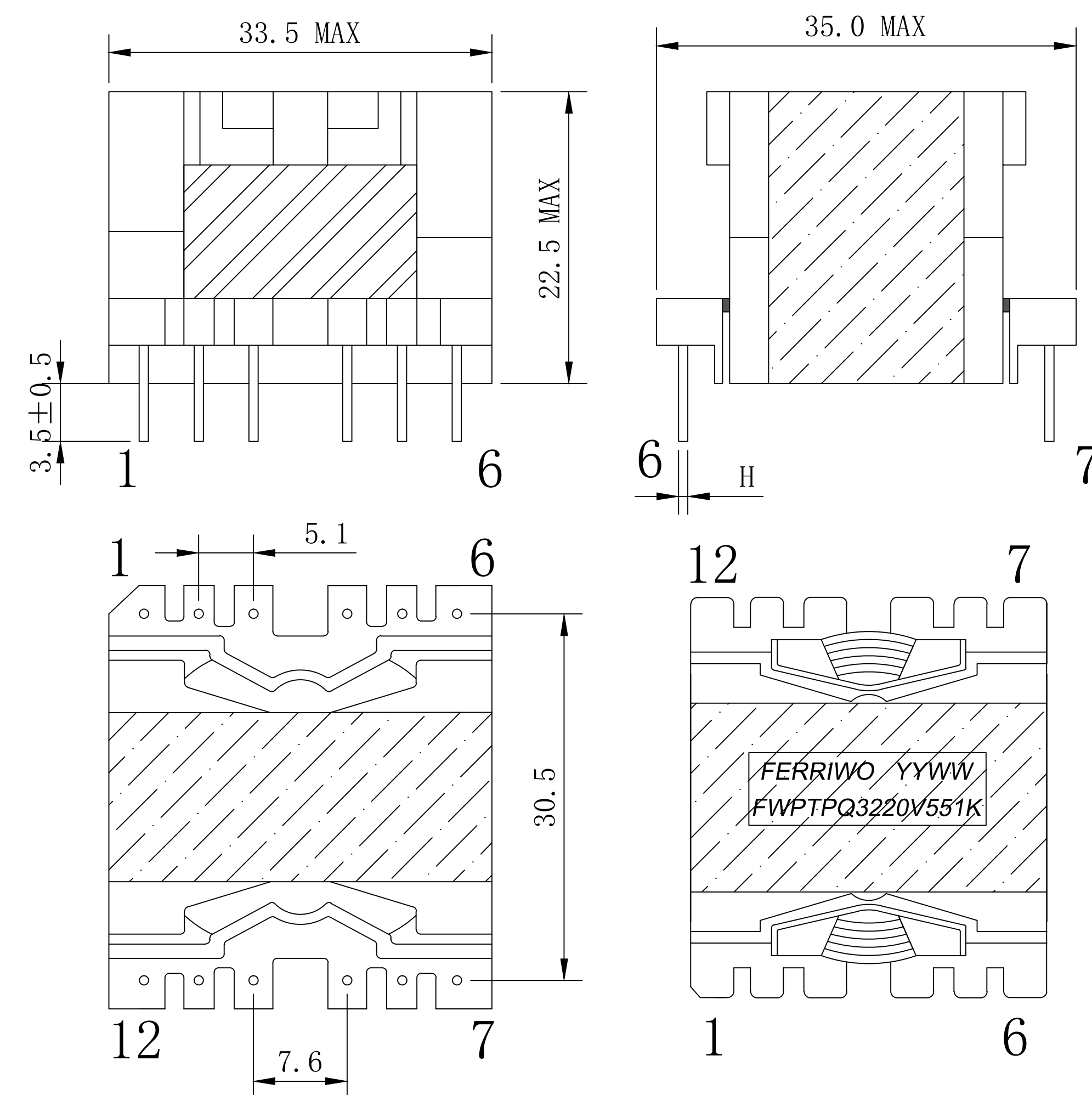


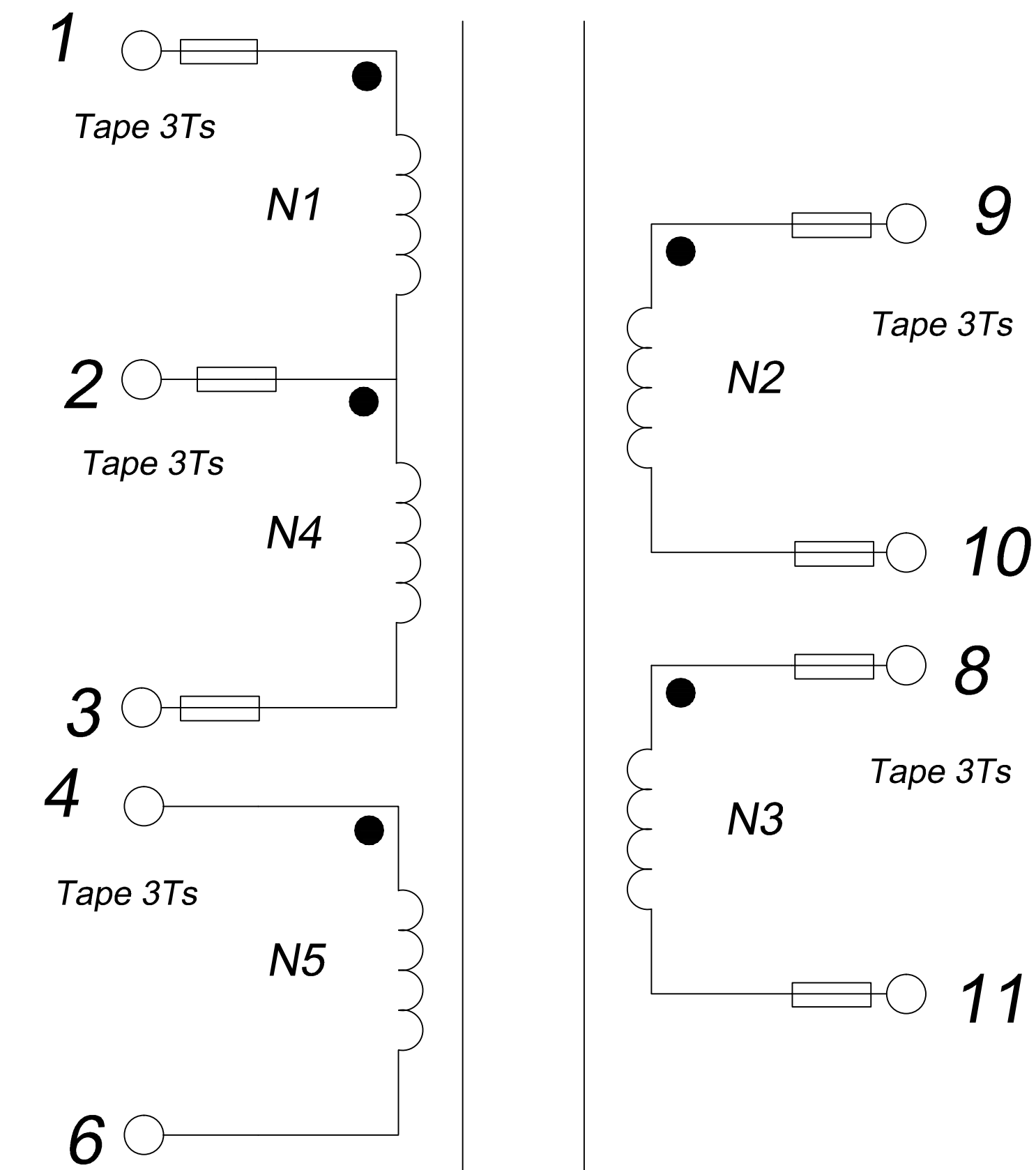
CUSTOMER TERMINAL	ROHS	Lead (Pb) -free
	YES	YES

FERRIWO

1. Mechanical Dimensions



2. Schematic Diagram



3. Material List

Core:FW95-PQ3220

Bobbin:FWB3201(6+6PIN)

Wire:2UEW-0.12/0.35/0.4mm 130°C

Tube: TFL tube

Operating Temperature: -40 to 85°C

4. Electrical Specification

Inductance: $L(1-3)=550\mu\text{H}\pm 10\%$ 1.0KHZ 1.0V

Hi-pot: N1,N5-N2,N3,N4= AC 2.0KV 3mA 10S

REV.	DATE	<p>Convention Placement</p>	DRW.	Drawing Title: TRANSFORMER	Part No:
0	00/01		CHK.		Customer P/N:
RoHS		www.ferriwo.com	APP.		Specification Sheet 1 of 1