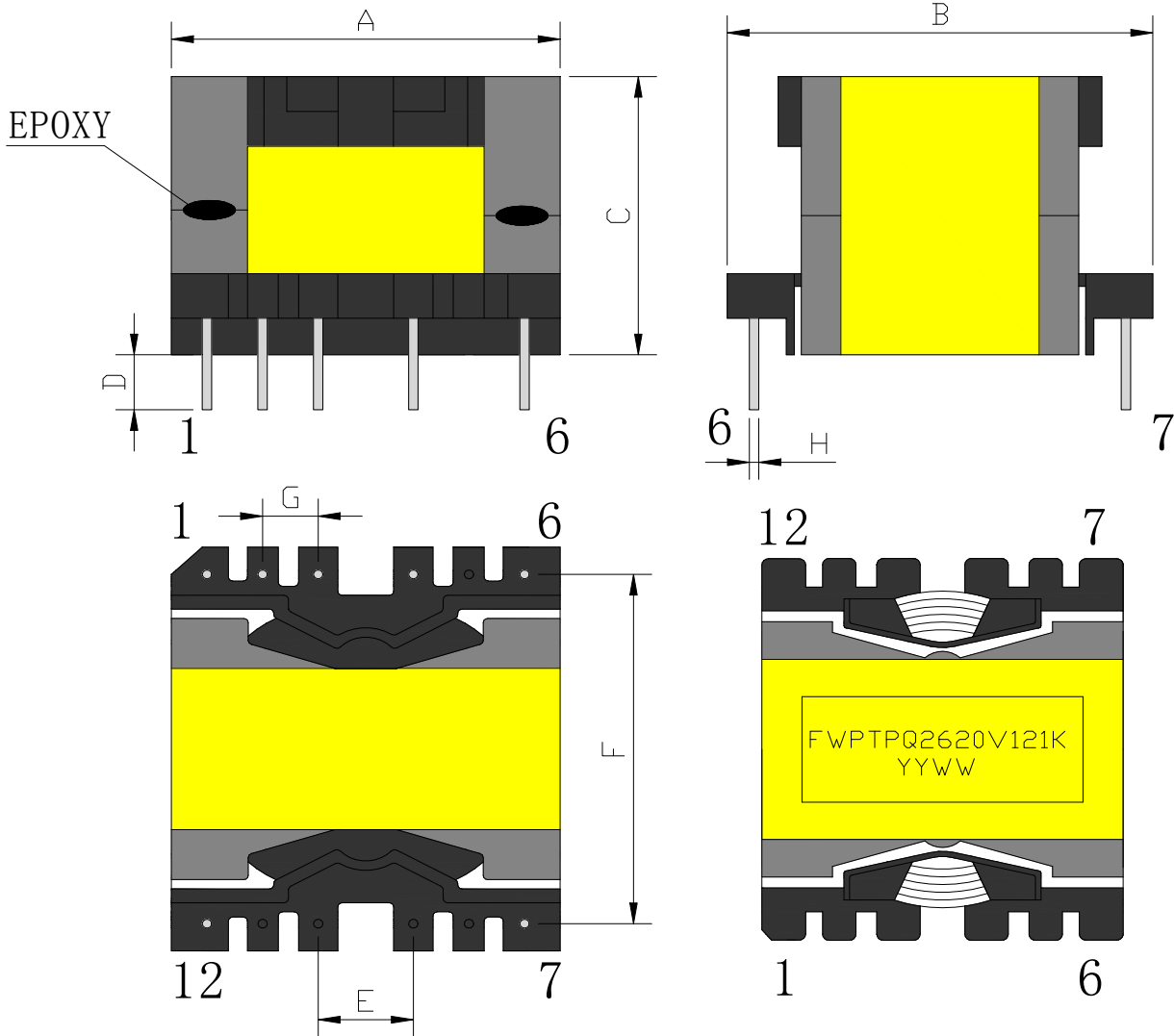


# SPECIFICATION

**1. PHYSICAL DIMENSION(UNIT: m/m):**



※ DIMENSIONS WITHOUT TOLERANCE ARE APPROX  
 ※ DIMENSION DOES NOT INCLUDE SOLDER USED ON COILS

**LEAD FREE**

\*PIN5,8,9,10,11 CUT OFF.

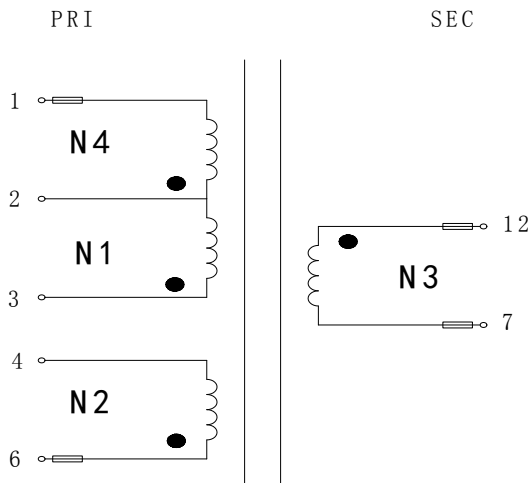
DIM	A	B	C	D	E	F	G	H				
	MAX	MAX	MAX	+/-0.5	+/-0.3	+/-0.4	+/-0.3	+/-0.1				
SPEC	30.5	30.5	23.0	4.0	7.5	25.4	3.8	0.6				

	DESCRIPTION	TRANSFORMER
	Customer P/N	PQ2620
	FERRIWO P/N	FWPTPQ2620V121K

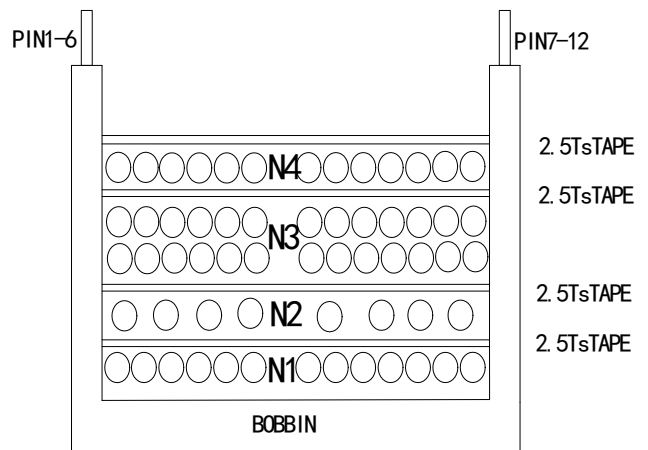
SPEC. NO.	PS-1001-035	PREPARED		APPROVED	
-----------	-------------	----------	--	----------	--

# SPECIFICATION

## 2.WINDING TABLE:



## 3.WINDING:



## 4.WINDING TABLE:

Winding NO.	Margin Tape	PIN	Wire &Wire Copper	Turns	Winding Type	Tape Layer	Tube
N1	0	3~2			Compact	2.5	0
N2	0	6~4			Dispersed	2.5	S≈10mm
N3	0	12~7			Compact	2.5	F=S≈10mm
N4	0	2~1			Compact	2.5	F≈10mm

### NOTE:

- Products should be vacuum varnish
  - \*VARNISH RATIO: 1:1
  - \*VACUUM TIME: 15~20minutes
  - \*BAKED TEMPERATURE : 120°C±10°C, 1~1.5hours

**LEAD FREE**



DESCRIPTION	TRANSFORMER
Customer P/N	PQ2620
FERRIWO P/N	FWPTPQ2620V121K

SPEC. NO.	PS-1001-035	PREPARED		APPROVED	
-----------	-------------	----------	--	----------	--




# SPECIFICATION

**5. ELECTRONICAL CHARACTERISTIC:**

**TEST CONDITION : TEMPERATURE AT 25 °C  
HUMIDITY AT 65 ±5% RH**

TEST ITEM	TEST CONDITION	RESULT
INDUCTANCE CH-3250	@1.0KHz,1.0V (1~3) (7~12)	750uH±10% 120uH±10%
D.C.R TH2513A	(1~3) (7~12)	330mΩ MAX 60mΩ MAX
HI-POT TEST CH-9052	@ 2mA 3SEC (AC)	P<->S                    2.0 KV; P、S<-> CORE        1.0KV;

**LEAD FREE**

		DESCRIPTION	TRANSFORMER		
		Customer P/N	PQ2620		
		FERRIWO P/N	FWPTPQ2620V121K		
SPEC. NO.	PS-1001-035	PREPARED		APPROVED	

# SPECIFICATION

## 6. MATERIAL LIST :

ITEM		MATERIAL	SUPPLIER OR MANUFACTURER	TEMPRATING
1	CORE	FW95 OR EQUIVALENT	HAINING FERRIWO ELECTRONICS CO., LTD.	
2	BOBBIN	PHENOLIC OR EQUIVALENT	SUMITOMO BAKELITE CO., LTD. UL NO E41429	150 °C
3	WIRE	2UEW	PACIFIC ELECTRIC WIRE&CABLE(SHENZHEN) CO. LTD UL NO E84081	155 °C
4	TAPE	CT280	YAHUA STICKING TAPE CO.,LTD UL NO E165111	130 °C
5	TUBE	TEFLON TUBE	GREAT HOLDING INDUSTRIAL CO.,LTD UL NO E156256	200 °C
6	VARNISH	R-1038	JOHN C DOLPH CO BC-346A UL NO E317427	130 °C
7	FLUX	TF9100	LINAN GUITONG CHEMICAL TECHNICAL CO.,LTD	
8	TIN	Sn99.3Cu0.7	HAINING ZHUCHANG METAL FOIL CO;LTD	
9	EPOXY	E-500 (BLACK)	SUZHOU EATTO ELECTRONIC MATERIAL CO.,LTD UL NO E218090	130 °C

**LEAD FREE**



DESCRIPTION	TRANSFORMER
Customer P/N	PQ2620
FERRIWO P/N	FWPTPQ2620V121K

SPEC. NO.

PS-1001-035

PREPARED



APPROVED

