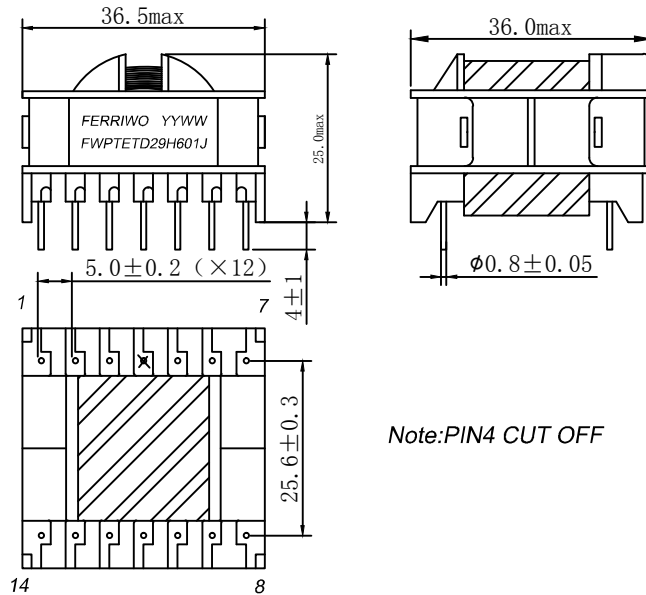


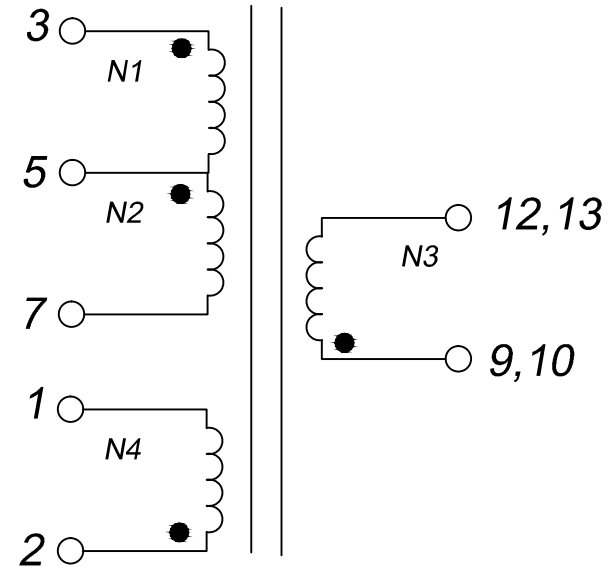
CUSTOMER TERMINAL	ROHS	Lead (Pb) -free
	YES	YES



### 1. Mechanical Dimensions



### 2. Schematic Diagram



### 3. Material List

Core:FW40-ETD29  
 Bobbin:ETD29 7+7PIN  
 Wire:2UEW-0.30mm/0.56mm/0.71mm 155°C  
 Operating Temperature: -40 to 70°C

### 4. Electrical Specification

Inductance: L (3-7) =600uH±30uH 10.0KHZ 1.0V  
 LK: (3-7)=8.19uH Max short other pins  
 HI-POT: P-S AC 3000V 5mA 60S  
 P,S-CORE AC 1000V 5mA 60S

REV.	DATE	 Convention Placement	DRW.	Drawing Title: <b>TRANSFORMER</b>	Part No:
0	00/00		CHK.		Customer P/N:
<b>RoHS</b>		<a href="http://www.ferriwo.com">www.ferriwo.com</a>	APP.		Specification Sheet 1 of 1