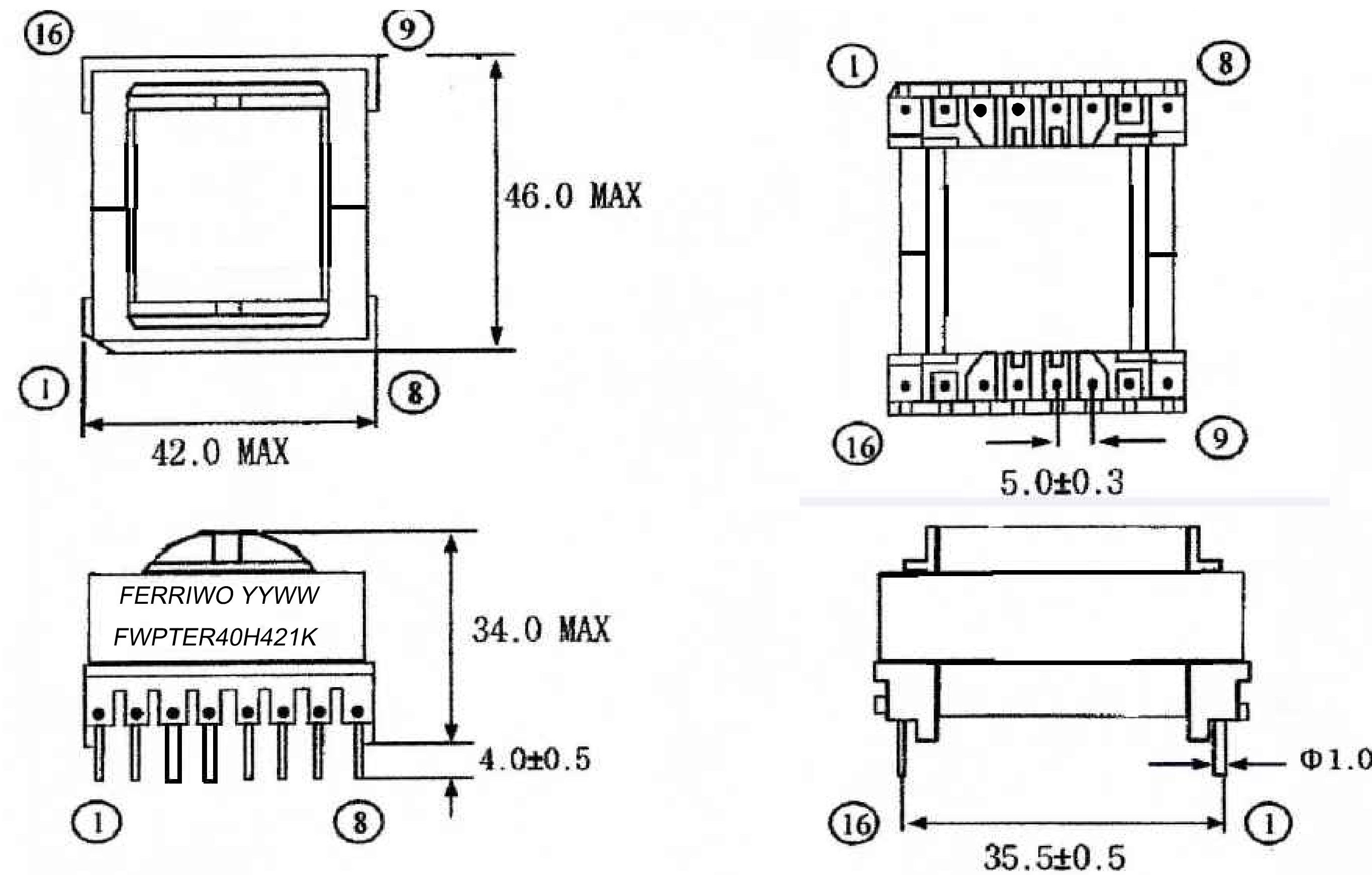


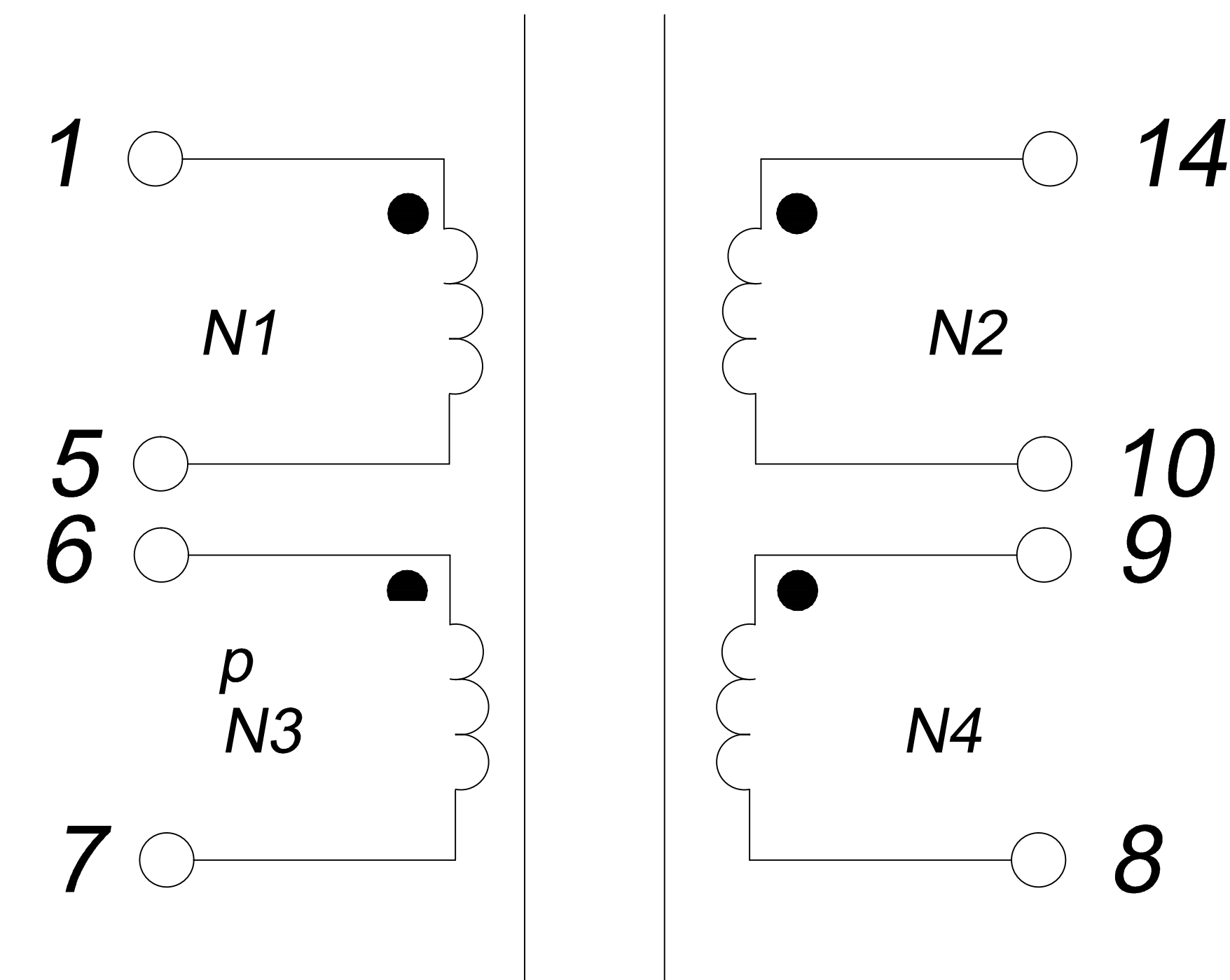
CUSTOMER TERMINAL	ROHS	Lead (Pb) -free
	YES	YES



1. Mechanical Dimensions



2. Schematic Diagram



3. Material List

Core:FW44-EC40/21/13

Bobbin:FWB4071-J

Wire:2UEW-0.11mm LITZ-0.07mm*40P 130°C

Operating Temperature: -30 to 115°C

4. Electrical Specification

Inductance: $L(1-5) = 417\mu\text{H} \pm 10\%$ 1.0KHZ 1.0V

LK: $L(1-5) = 8.34\mu\text{H}$ ref. 100.0KHZ 1.0V

REV.	DATE	 Convention Placement	DRW.	Drawing Title: TRANSFORMER Customer P/N:	Part No:
0	00/00		CHK.		FWPTER40H421K
		www.ferriwo.com	APP.		Specification Sheet 1 of 1