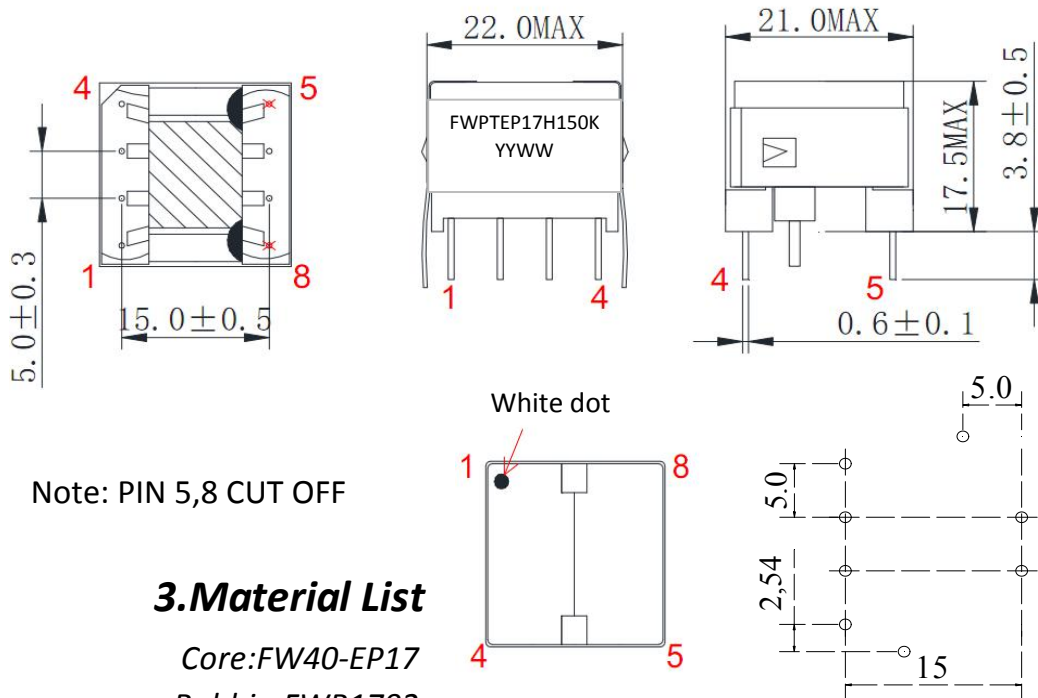


CUSTOMER TERMINAL	ROHS	Lead(Pb)-free
	YES	YES

1. Mechanical Dimensions

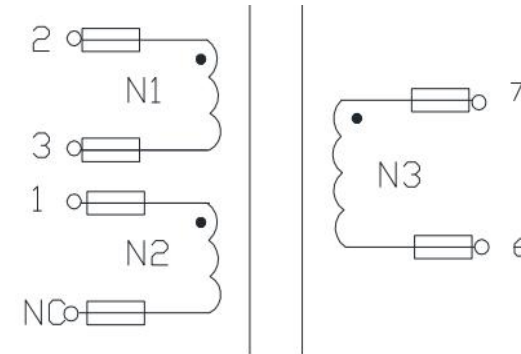


Note: PIN 5,8 CUT OFF

3. Material List

Core: FW40-EP17
 Bobbin: FWB1702
 Wire: 1UEW-0.18/0.42mm 155 °C TIW-B-0.18*7P 130 130 °C
 Tape: WF2901-2.0mm CT280/PF301-25u-9.8mm 130 °C
 Tube: TFL tube
 Operating Temperature: -40 to 125 °C

2. Schematic Diagram



4. Electrical Specification

Inductance: $L(2-3) = 15 \mu\text{H} \pm 10\%$ 50KHz 0.1V
 Leakage Inductance: $L(2-3) = 0.8 \mu\text{H MAX}$ 100KHz 0.1V
 (short PIN6,7)
 DCR: $(2-3) = (7-6) = 32 \text{ m}\Omega \text{ MAX}$
 Hi-Pot: P-S: AC 50Hz 5000V 2mA 60S
 P、S-CORE: AC 50Hz 4000V 2mA 60S

REV.	DATE	<p>Convention Placement</p>	DRW.	Drawing Title:	Part No:		
0	00/00		CHK.			TRANSFORMER	FWPTep17H150K
			APP.			Customer P/N	Specification Sheet 1of 1
ROHS		www.ferriwo.com					