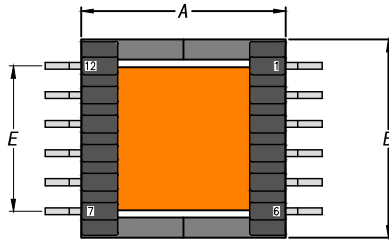
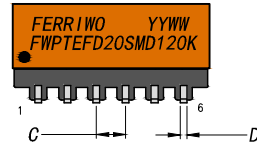
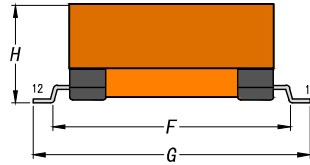


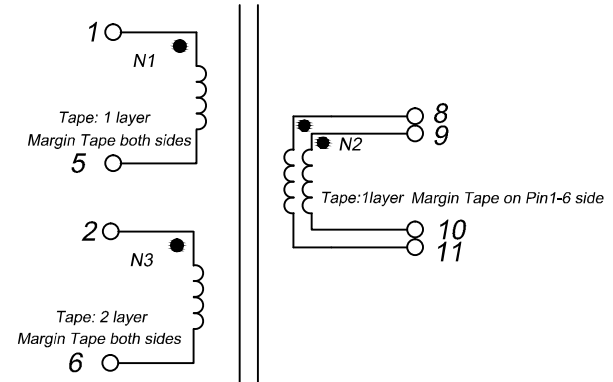
CUSTOMER TERMINAL	ROHS	Lead (Pb) -free
	YES	YES



### 1.Mechanical Dimensions(Unit:mm)



### 2.Schematic Diagram



### 3.Material List

Core:FW40-EFD20  
 Bobbin:EFD20 6+6PIN SMD  
 Wire:2UEW 0.25mm TIW-B-0.20mm 130°C  
 Tapes:PF-301-1.8mm CT280-25u  
 Vranish:T4260GK

### 4.Electrical Specification

Inductance:  $L(1,2-5,6)=12\mu H \pm 10\%$  200.0KHZ 1.0V  
 LK:  $L(1,2-5,6)=0.25\mu H$  MAX 200.0KHZ 1.0V  
 short8,9,10,11  
 Hi-pot: P to S AC 50HZ 4000V1mA 2SEC  
 Coil to Core AC 50HZ 500V 1mA 2SEC

REV.	DATE	 Convention Placement	DRW.	Drawing Title: <b>TRANSFORMER</b>	Part No:
0	00/00		CHK.		Customer P/N:
<b>RoHS</b>		<a href="http://www.ferriwo.com">www.ferriwo.com</a>	APP.		Specification Sheet 1 of 1