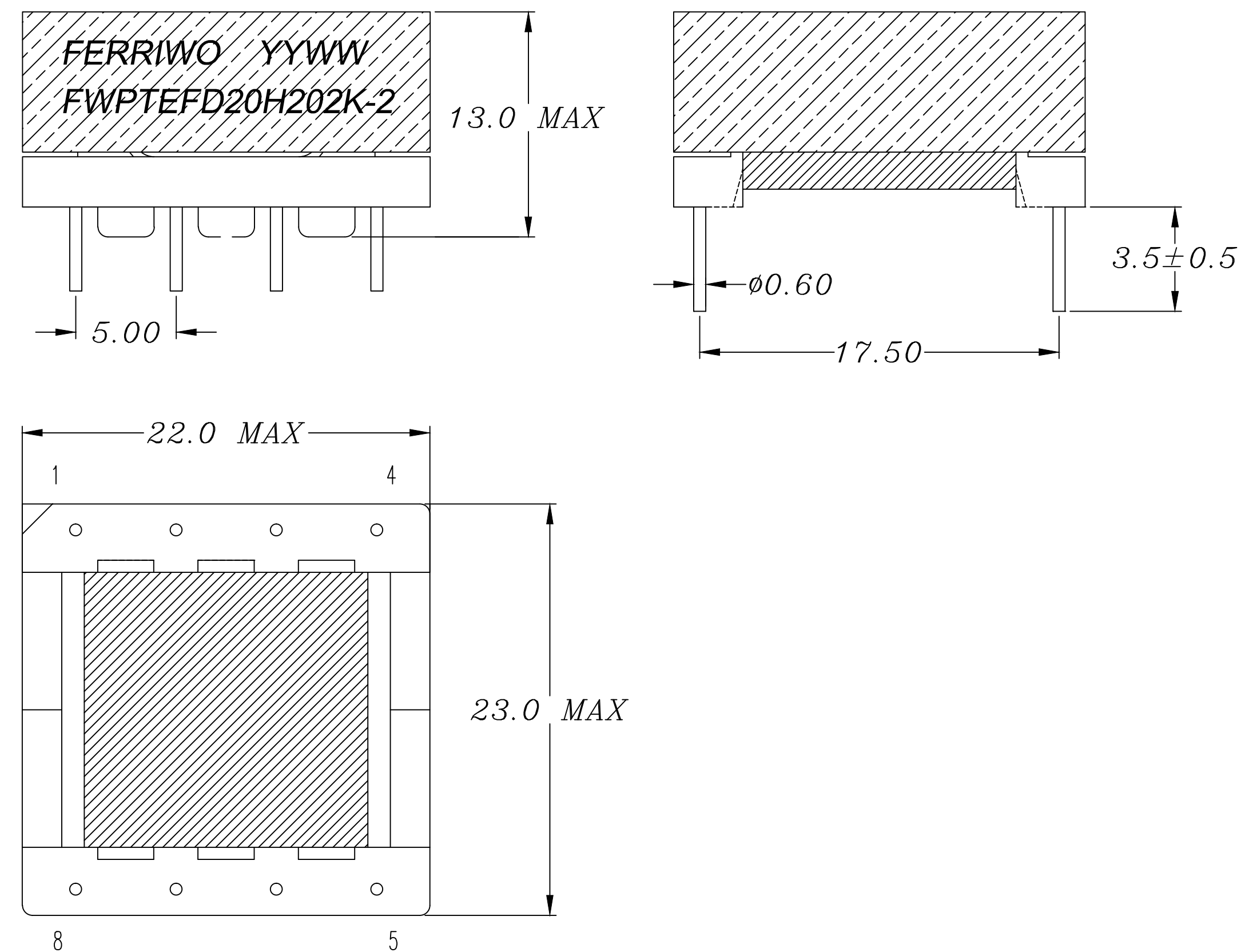


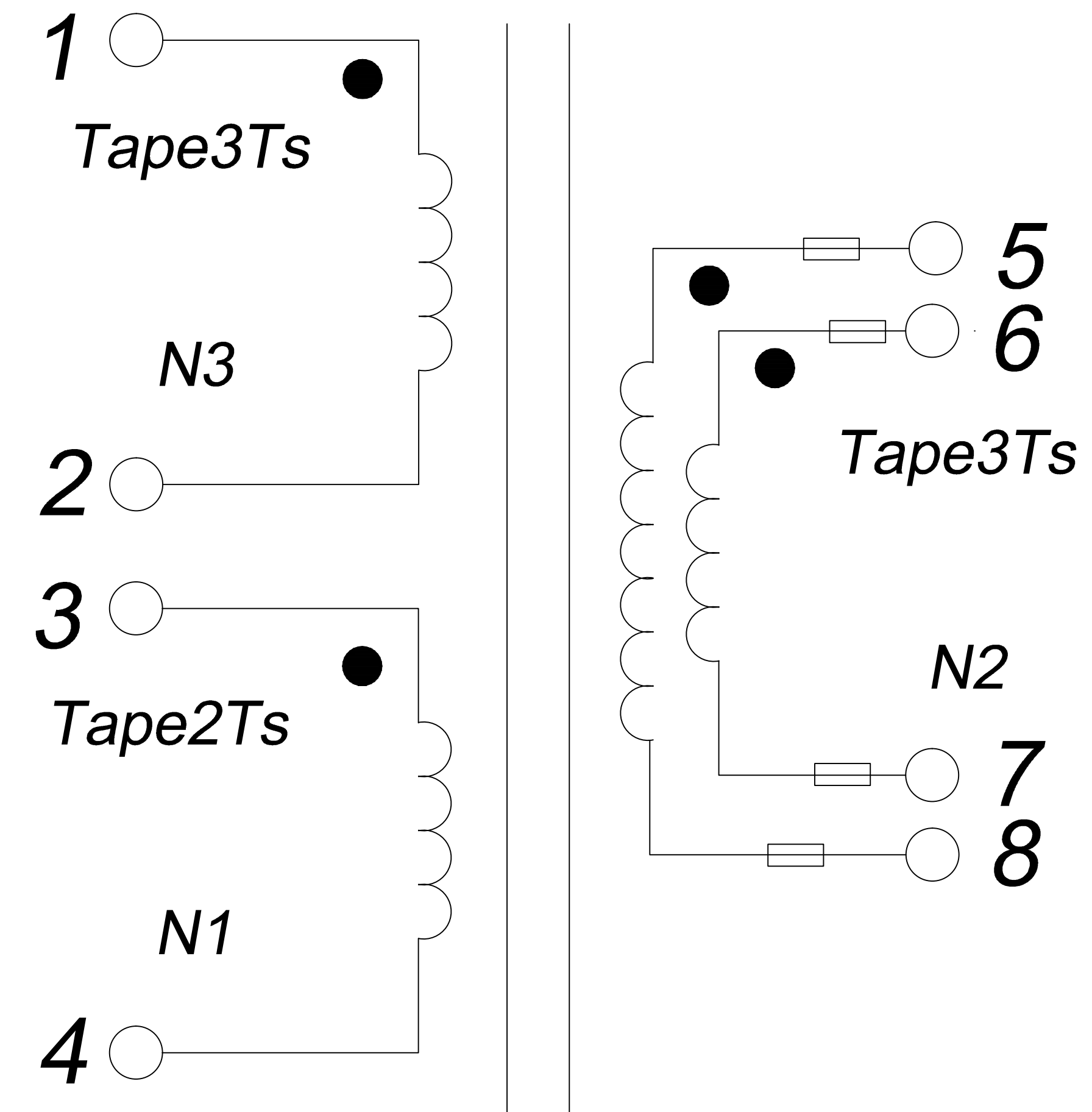
CUSTOMER TERMINAL	ROHS	Lead (Pb) -free
	YES	YES



1. Mechanical Dimensions



2. Schematic Diagram



3. Material List

Core:FW44-EFD20

Bobbin:FWB2009

Wire:2UEW-0.20mm TIW-B-0.60mm 130°C

Operating Temperature: -30 to 115°C

4. Electrical Specification

Inductance: $L(3-4)=2.0\text{mH}\pm 10\%$ 1.0KHZ 1.0V

LK: $L(3-4)=20\mu\text{H MAX}$ 100.0KHZ 1.0V

Hi-pot: P-S AC 4500V 3mA 1S

REV.	DATE	 Convention Placement	DRW.	Drawing Title: TRANSFORMER Customer P/N:	Part No:
0	00/00		CHK.		FWPTEFD20H202K-2
		www.ferriwo.com	APP.		Specification Sheet 1 of 1