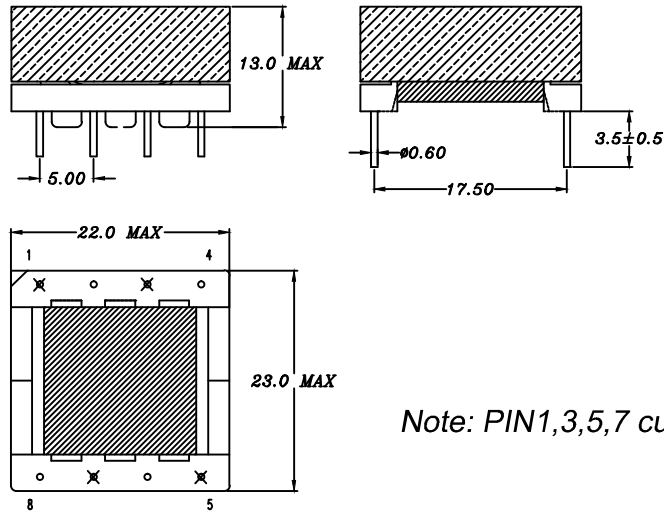


CUSTOMER TERMINAL	ROHS	Lead (Pb) -free
	YES	YES

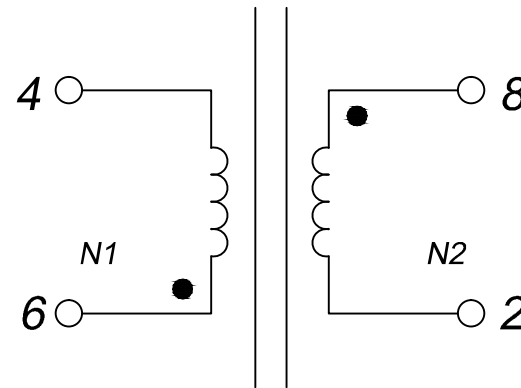


1. Mechanical Dimensions



Note: PIN1,3,5,7 cut off

2. Schematic Diagram



3. Material List

Core:FW95-EFD20
 Bobbin:FWB2009
 Wire:2UEW-0.40mm 155°C
 Operating Temperature: -30 to 115°C

4. Electrical Specification

Inductance: $L(6-4)=1.4\text{mH}\pm 10\%$ 15KHZ 1V
 Hi-pot: COIL-COIL AC 1500V 5mA 60S
 COIL-CORE AC 500V 5mA 60S

REV.	DATE	 Convention Placement	DRW.	Drawing Title: TRANSFORMER Customer P/N:	Part No:
0	00/00		CHK.		FWPTEFD20H142K
			APP.		Specification Sheet 1 of 1
RoHS		www.ferriwo.com			