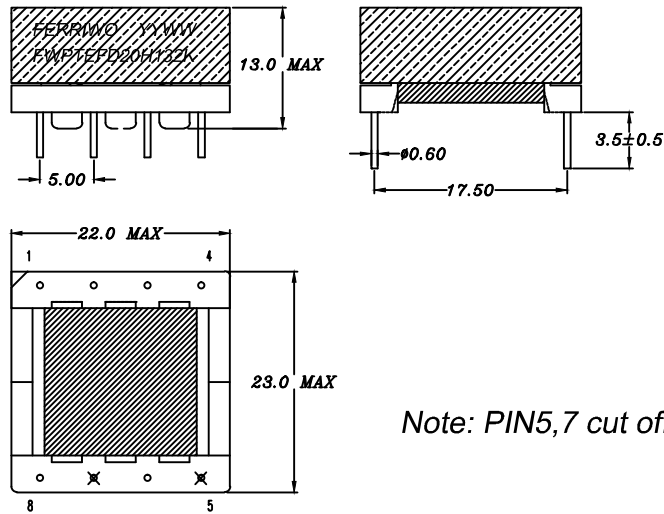


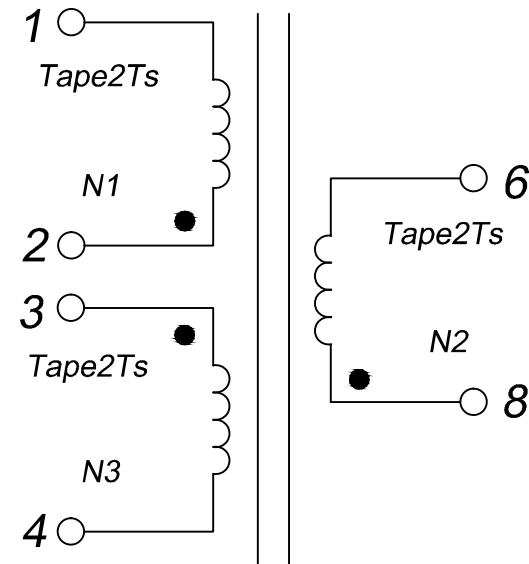
CUSTOMER TERMINAL	ROHS	Lead (Pb) -free
	YES	YES



1.Mechanical Dimensions



2.Schematic Diagram



3.Material List

Core:FW44-EFD20
 Bobbin:FWB2009
 Wire:2UEW-0.20/0.30/0.35mm 130°C
 Operating Temperature: -30 to 115°C

4.Electrical Specification

Inductance: $L(2-1)=1.32mH \pm 10\%$ 1.0KHZ 0.3V
 Hi-pot: COIL-COIL AC 2500V 3mA 3S
 COIL-CORE AC 500V 3mA 3S

REV.	DATE	 Convention Placement	DRW.	Drawing Title: TRANSFORMER	Part No:
0	00/00		CHK.		Customer P/N:
RoHS		www.ferriwo.com	APP.		Specification Sheet 1 of 1