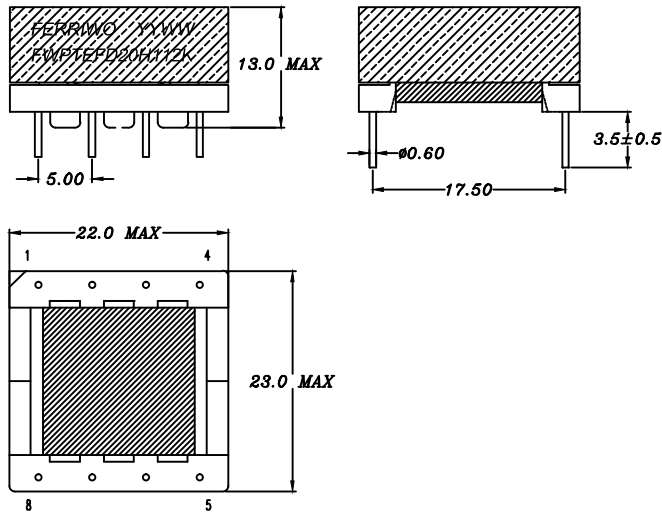


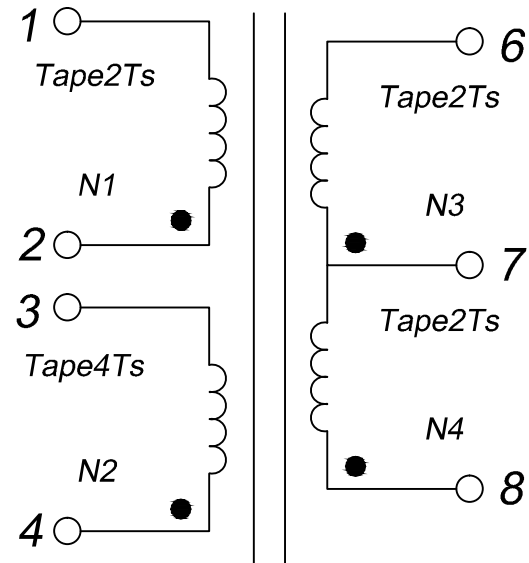
CUSTOMER TERMINAL	ROHS	Lead (Pb) -free
	YES	YES



### 1.Mechanical Dimensions



### 2.Schematic Diagram



### 3.Material List

Core:FW44-EFD20  
 Bobbin:FWB2009  
 Wire:2UEW-0.32/0.45mm TIW-B-0.32/0.45mm 130°C  
 Operating Temperature: -30 to 115°C

### 4.Electrical Specification

Inductance:  $L(2-1)=1108\mu H \pm 10\%$  1.0KHZ 1.0V  
 LK:  $L(2-1)=33.2\mu H$  REF 100.0KHZ 1.0V  
 Hi-pot: P-S AC 3000V 3mA 1S  
 COIL-CORE AC 500V 3mA 1S

REV.	DATE	 Convention Placement	DRW.	Drawing Title: <b>TRANSFORMER</b>	Part No:
0	00/00		CHK.		Customer P/N:
<b>RoHS</b>		<a href="http://www.ferriwo.com">www.ferriwo.com</a>	APP.		Specification Sheet 1 of 1