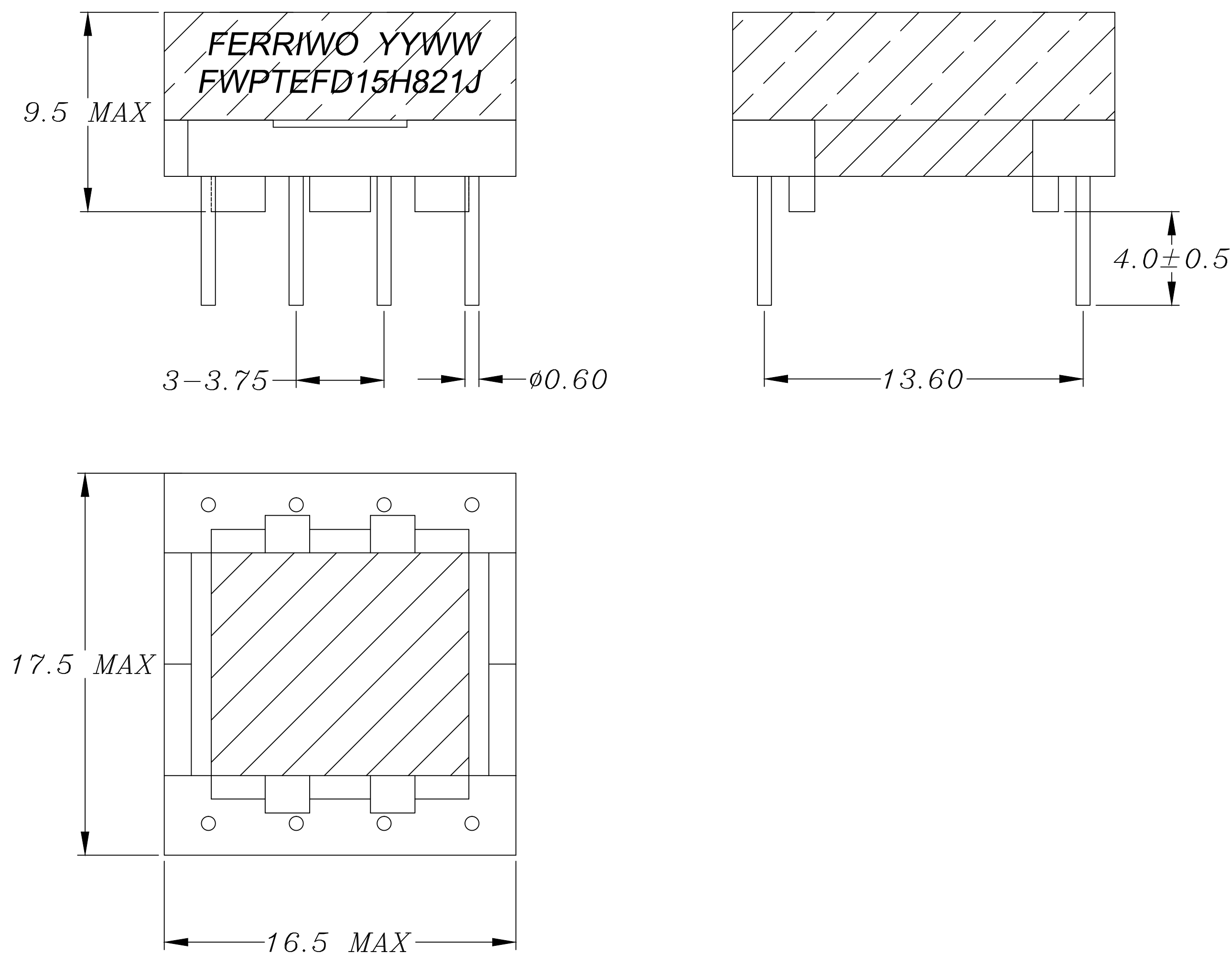


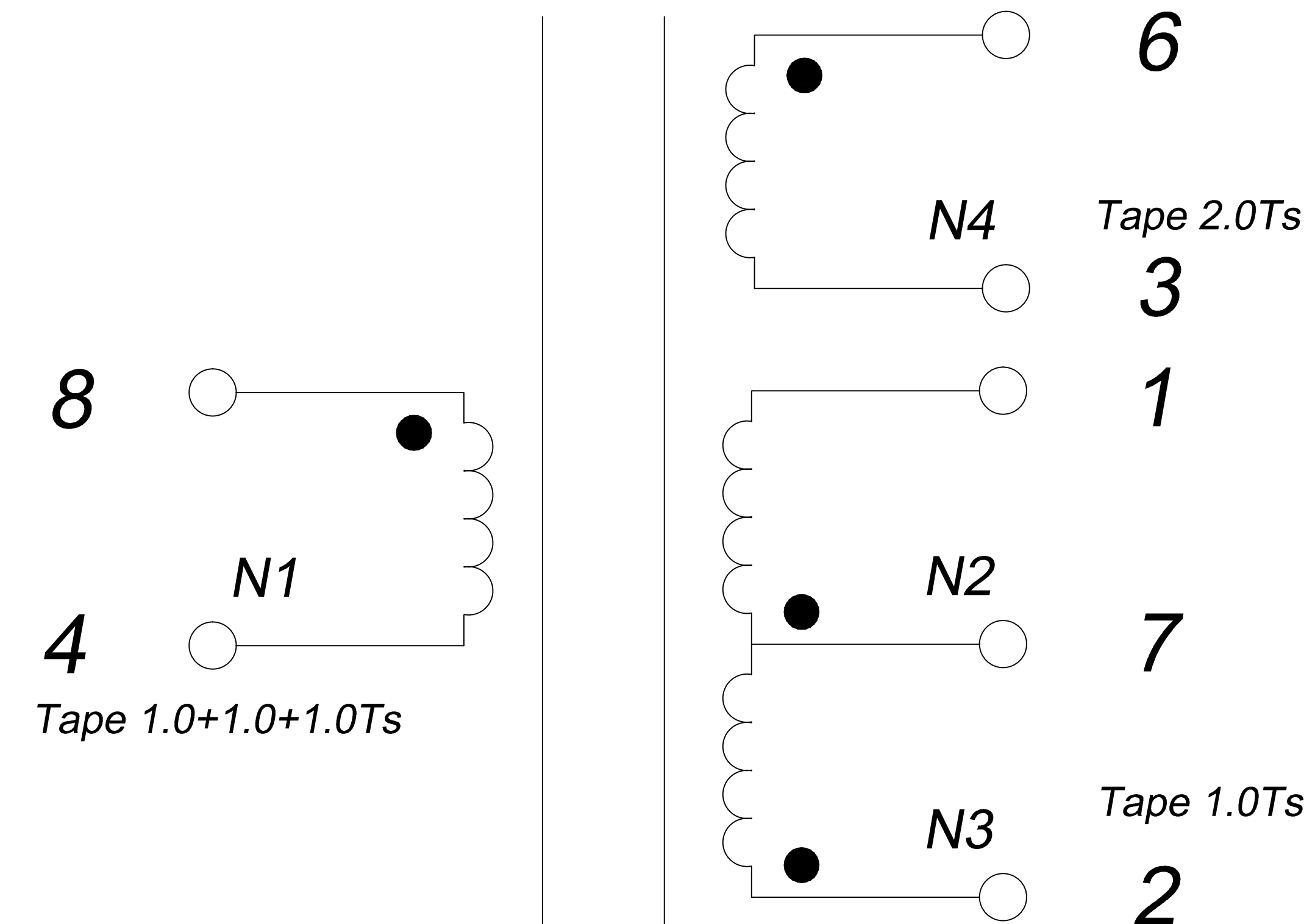
CUSTOMER TERMINAL	ROHS	Lead (Pb) -free
	YES	YES



1. Mechanical Dimensions



2. Schematic Diagram



3. Material List

Core:FW40-EFD15

Bobbin:FWB1051-J

Wire:2UEW-0.20mm 155°C

Tape:CT-280

Operating Temperature: -30 to 115°C

4. Electrical Specification

Inductance: $L(8-4) = 820\mu H \pm 10\%$ 1.0KHZ 0.25V

REV.	DATE	 Convention Placement	DRW.	Drawing Title: TRANSFORMER Customer P/N:	Part No:
0	00/00		CHK.		FWPTEFD15H821J
		www.ferriwo.com	APP.		Specification Sheet 1 of 1