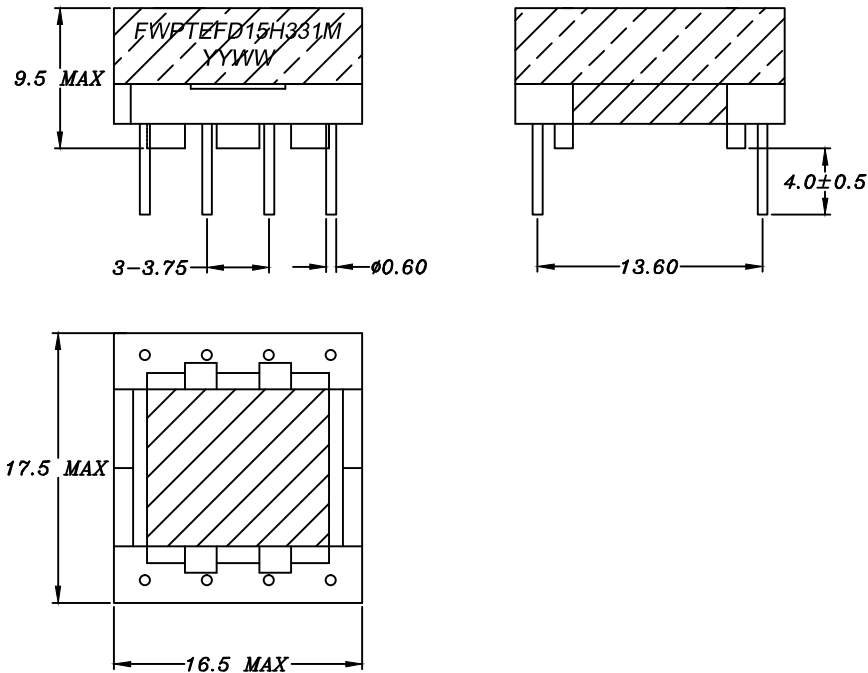
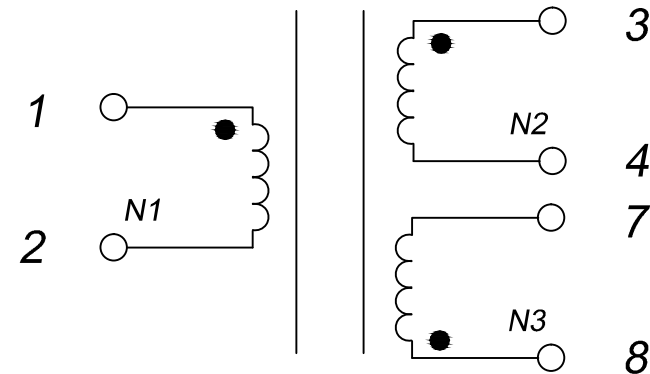


CUSTOMER TERMINAL	ROHS	Lead (Pb) -free
	YES	YES

### 1. Mechanical Dimensions



### 2. Schematic Diagram



### 3. Material List

Core:FW40-EFD15  
 Bobbin:FWB1051-Y  
 Wire:2UEW-0.16/0.20mm 155°C  
 Tape:CT-280  
 Operating Temperature: -30 to 115°C

### 4. Electrical Specification

Inductance:  $L(1-2) = 330\mu\text{H} \pm 20\%$  1.0KHZ 1.0V  
 $L(3-4) = L(7-8) = 1.45\text{mH} \pm 20\%$  1.0KHZ 1.0V  
 HI-POT: COIL-CORE AC 500V 2mA 3seconds

REV.	DATE	 Convention Placement	DRW.	Drawing Title: <b>TRANSFORMER</b>	Part No:
0	00/00		CHK.		Customer P/N:
<b>RoHS</b>		www.ferriwo.com	APP.		Specification Sheet 1 of 1