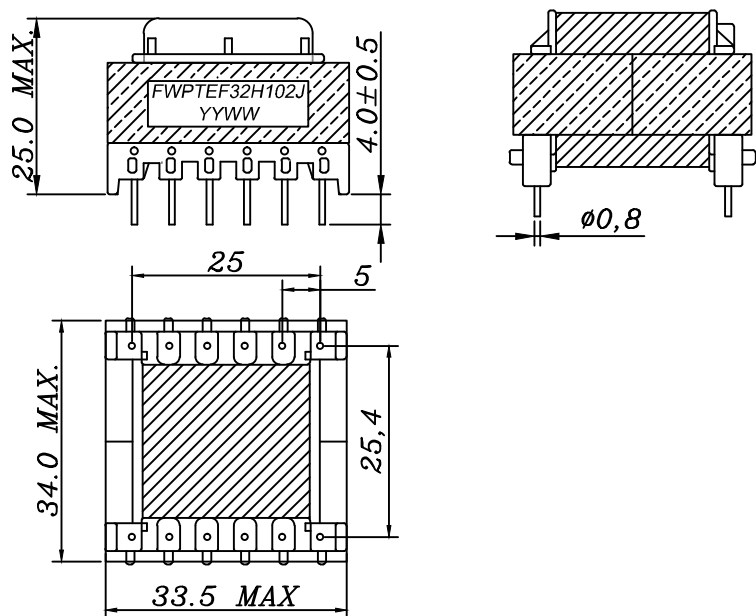


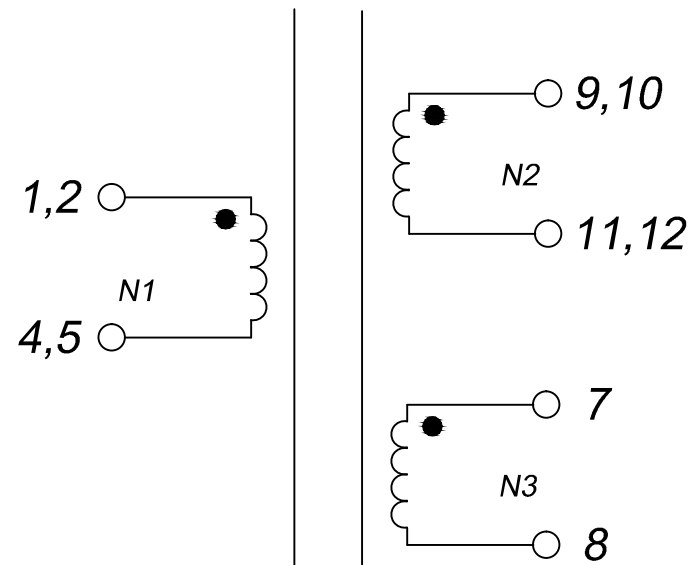
CUSTOMER TERMINAL	ROHS	Lead (Pb) -free
	YES	YES



1. Mechanical Dimensions



2. Schematic Diagram



3. Material List

Core:FW44-EE32/32/9
 Bobbin:FWB3212(6+6)
 Wire:2UEW-0.60mm/0.21mm TIW-0.8mm
 Tube:TFL TUBE
 Operating Temperature: -30 to 115°C

4. Electrical Specification

Inductance: $L(1-3) = 1.0\text{mH} \pm 5\%$ 1.0KHZ 1.0V
 HI-POT: P-S AC 4000V 2mA 3s
 P, S-CORE AC 1000V 2mA 3s

REV.	DATE	 Convention Placement	DRW.	Drawing Title: TRANSFORMER	Part No:
0	06/01		CHK.		Customer P/N:
RoHS		www.ferriwo.com	APP.		Specification Sheet 1 of 1