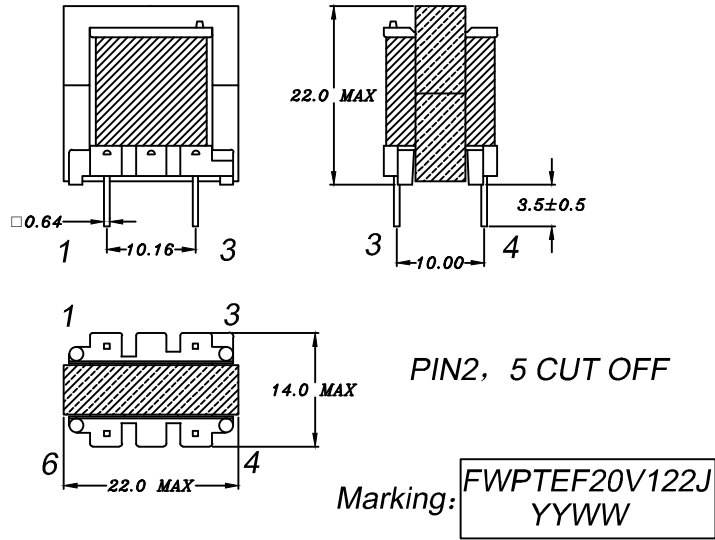


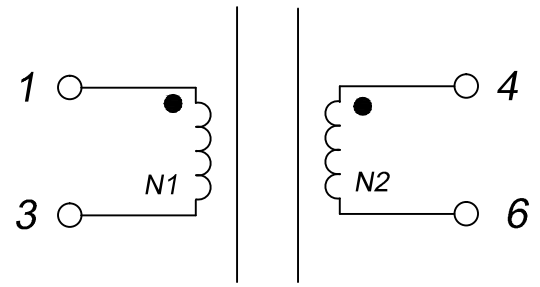
CUSTOMER TERMINAL	ROHS	Lead (Pb) -free
	YES	YES



1. Mechanical Dimensions



2. Schematic Diagram



Note: Use 3.0mm margin tape 1turn near PIN4-6 side before the N2 winding.

3. Material List

Core:FW40-EE20/10/6
 Bobbin:FWB2011
 Wire:2UEW-0.4mm TIW-B-0.2mm 130°C
 Operating Temperature: -30 to 115°C

4. Electrical Specification

Inductance: $L (1-3) = 1.2mH \pm 4\%$ 1.0KHZ 1.0V
 HI-POT: P-S AC 3000V 3mA 1s
 P、S-CORE AC 1000V 3mA 1s

REV.	DATE	 Convention Placement	DRW.	Drawing Title: TRANSFORMER Customer P/N:	Part No:
0	00/00		CHK.		FWPTEF20V122J
RoHS		www.ferriwo.com	APP.		Specification Sheet 1 of 1