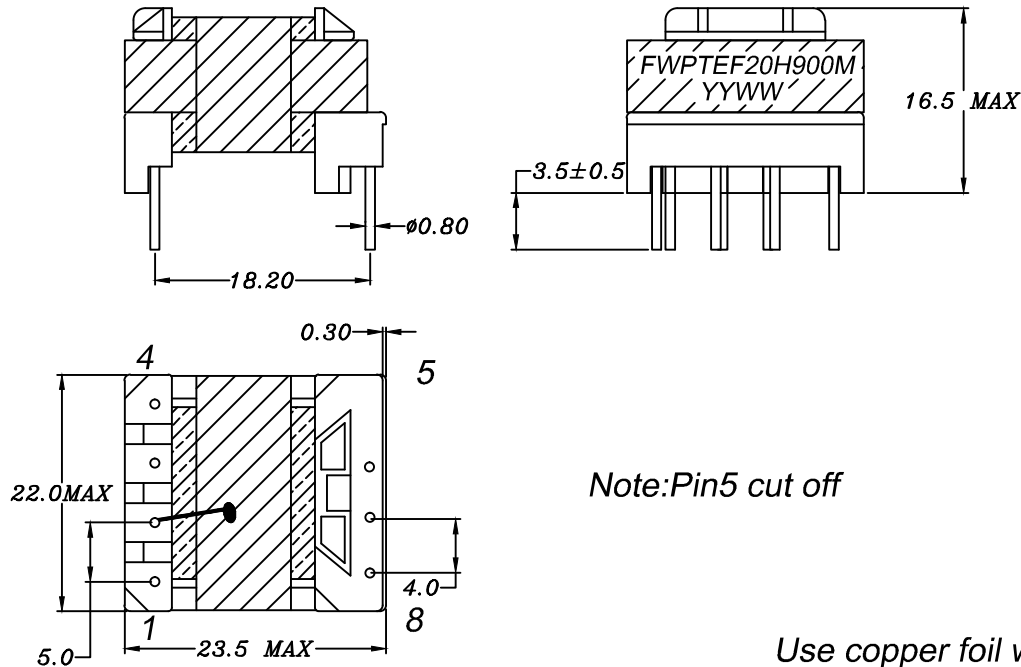


CUSTOMER TERMINAL	ROHS	Lead (Pb) -free
	YES	YES

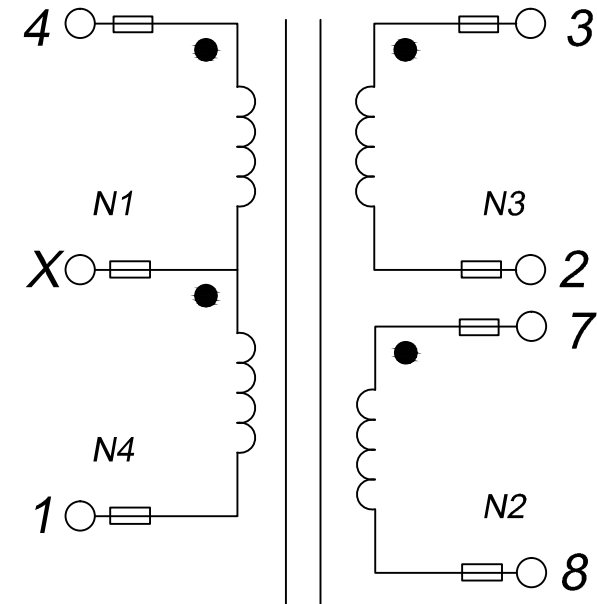


1. Mechanical Dimensions



Note: Pin5 cut off

2. Schematic Diagram



Use copper foil with 0.025t*8.0mm around the coils and connected to PIN2

3. Material List

Core:FW40-EE20/10/6
 BOBBIN:FWB2010(4+4PIN)
 Wire:2UEW 0.32/0.50mm 130°C
 Operating Temperature: -30 to 115°C

4. Electrical Specification

Inductance: L(1-4)=90uH±20% 100KHZ 1V
 Hi-Pot: P-N2,N3-N2 AC 3.0KV 5mA 3S
 P-N3 0.5KV 5mA 3S

REV.	DATE	 Convention Placement	DRW.	Drawing Title: TRANSFORMER	Part No:
0	00/00		CHK.		Customer P/N:
RoHS		www.ferriwo.com	APP.		Specification Sheet 1 of 1