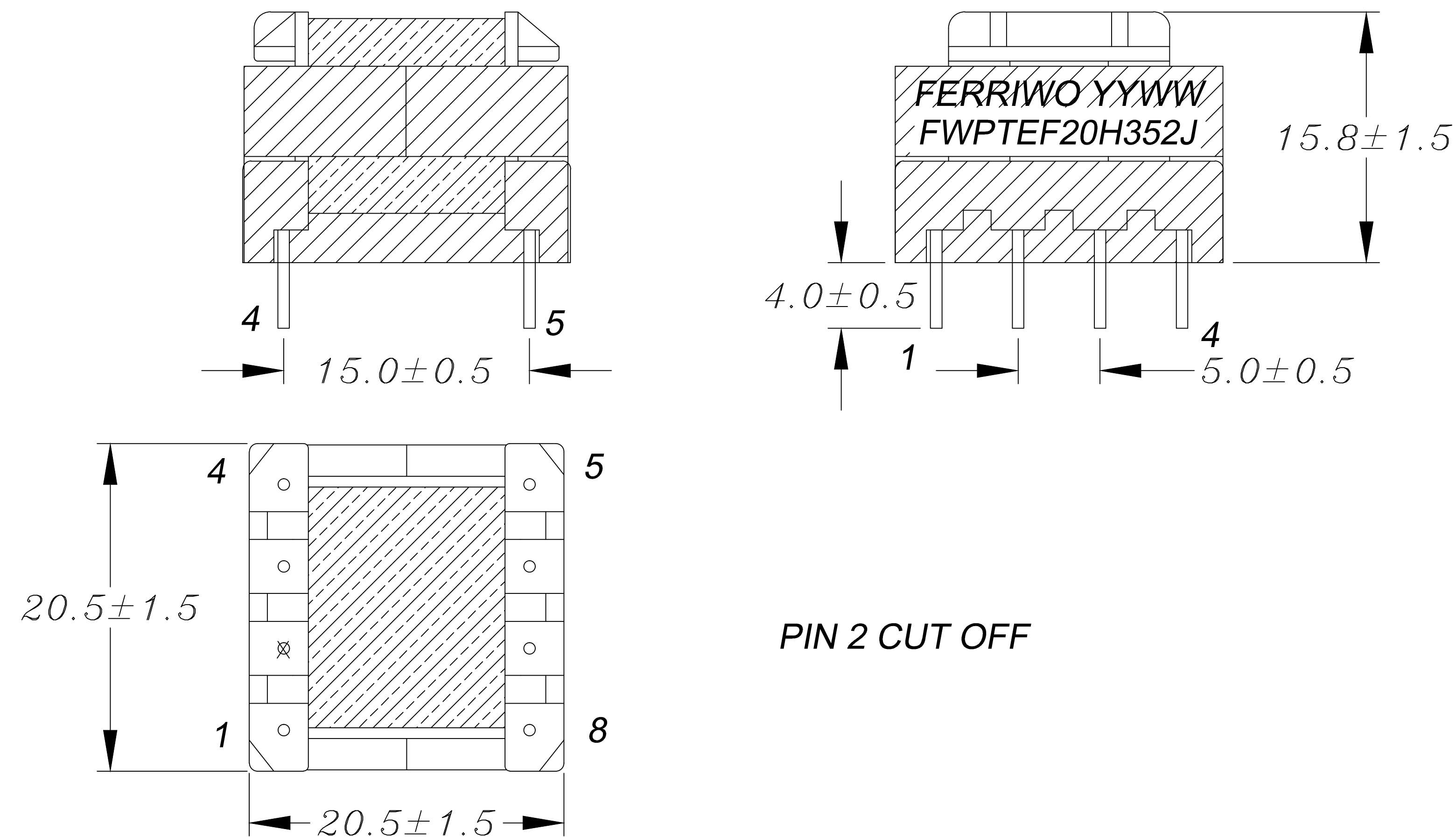


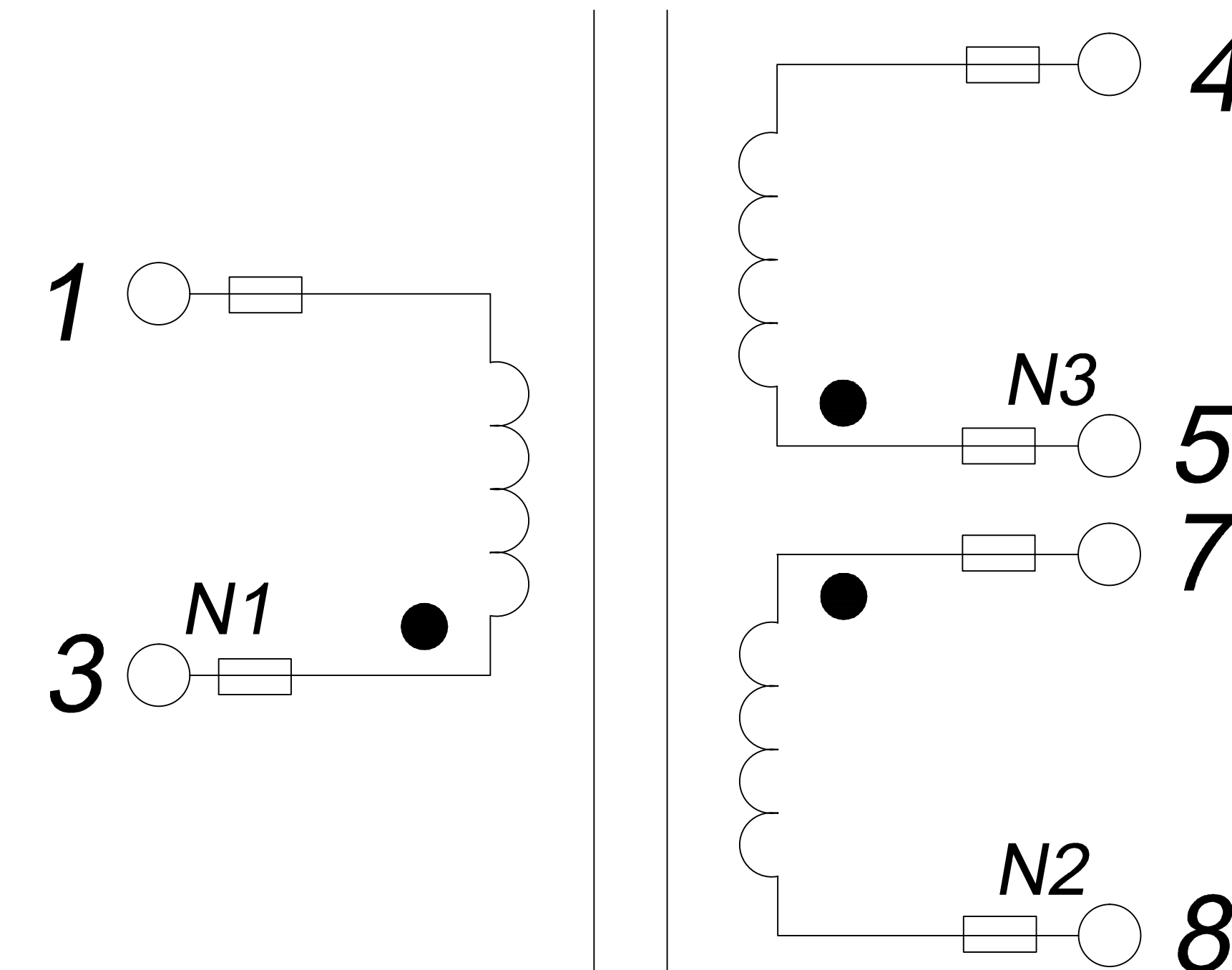
CUSTOMER TERMINAL	ROHS	Lead (Pb) -free
	YES	YES



## 1. Mechanical Dimensions



## 2. Schematic Diagram



## 3. Material List

Core: FW44-EE20/10/6  
 BOBBIN: FWB2001-1 (4+4)  
 Wire: 2UEW-0.22/0.56mm 155°C  
 Operating Temperature: -30 to 115°C

## 4. Electrical Specification

Inductance:  $L(3-1) = 3.55\text{mH} \pm 7\%$  1KHZ 1V  
 DCR:  $(3-1) = 2.8\Omega$  MAX  
 Hi-pot: P-S AC 2.0V 2mA 2s  
 P、S-CORE AC 1000V 2mA 2s

REV.	DATE	 Convention Placement	DRW.	Drawing Title: <b>TRANSFORMER</b>	Part No:
0	00/00		CHK.		Customer P/N:
		www.ferriwo.com	APP.		Specification Sheet 1 of 1