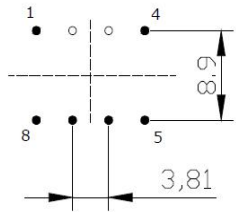


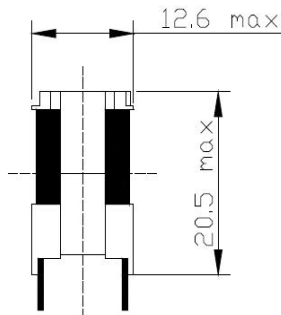
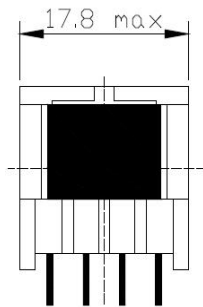
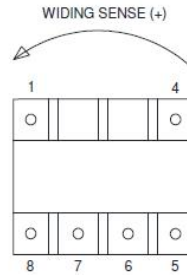
CUSTOMER TERMINAL	ROHS	Lead(Pb)-free
	YES	YES

## 1. Mechanical Dimensions

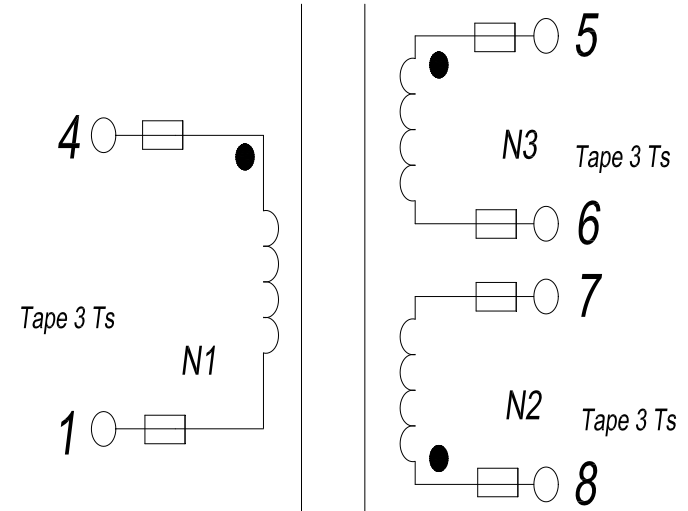


Note: PIN2,3 cut off

Label: **HR 18141-00  
YYWW**



## 2. Schematic Diagram



## 3. Material List

Core:FW40 EE16/8/5

Bobbin:FWB1632(4+4PIN)

Wire:2UEW-0.25mm 155 °C TIW-B-0.25mm 130 °C

Tube : TFL tube

Operating Temperature: -30 to115 °C

## 4. Electrical Specification

Inductance:L ( 1-4 ) =290uH±10% 1KHz 0.25V

Leakage Inductance : L (1-4)=10uH MAX 100KHz 0.25V

DCR:(1-4)=490mΩ±15%

Hi-Pot:P-S: AC 50Hz 4000V 0.5mA 3S

REV.	DATE	<p>Convention Placement</p>	DRW.	Drawing Title:	Part No:		
0	00/00		CHK.			<b>TRANSFORMER</b>	FWPTEF16V291K
			APP.			Customer P/N	Specification Sheet 1of 1

**ROHS**

[www.ferriwo.com](http://www.ferriwo.com)