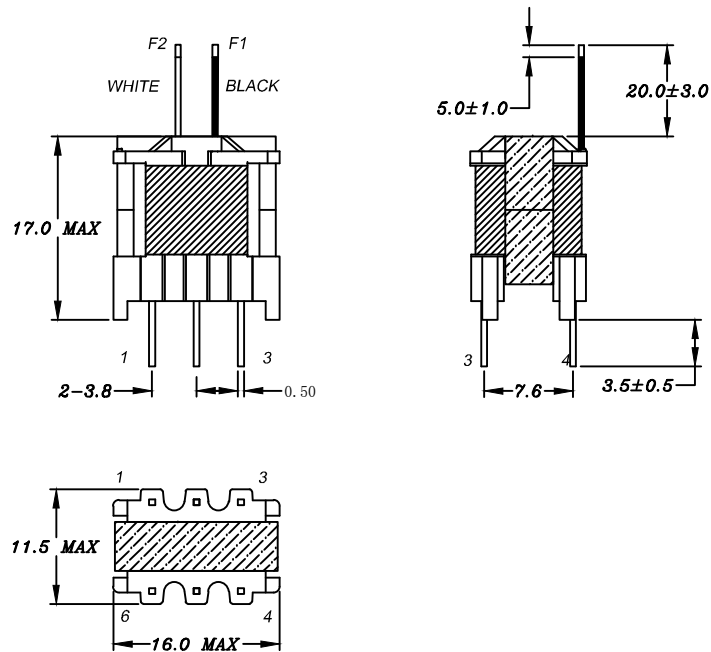
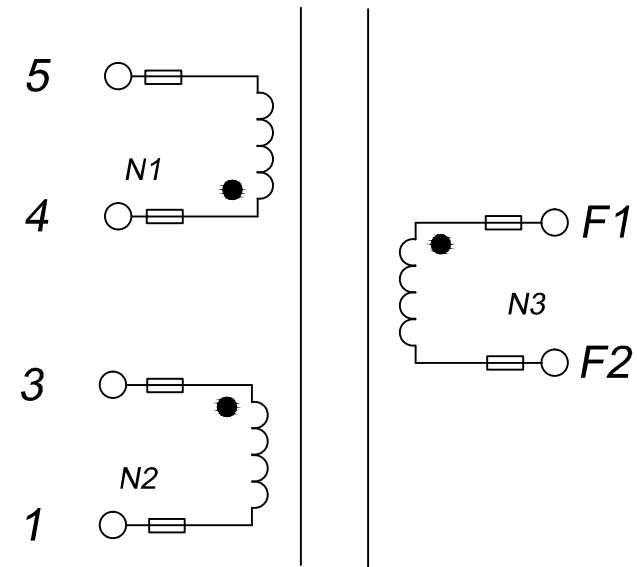


CUSTOMER TERMINAL	ROHS	Lead (Pb) -free
	YES	YES

1. Mechanical Dimensions



2. Schematic Diagram



3. Material List

Core:FW44-EF12.6
 Bobbin:FWB1201(3+3)
 Wire:2UEW TIW
 Tube:TFL TUBE
 Operating Temperature: -30 to 115°C

4. Electrical Specification

Inductance: $L(4-5) = 5.6\text{mH} \pm 5\%$ 1.0KHZ 1.0V
 HI-POT: P-S AC 4000V 3mA 60s
 P、S-CORE AC 1000V 3mA 60s

REV.	DATE	 Convention Placement	DRW.	Drawing Title: TRANSFORMER	Part No:
0	00/00		CHK.		Customer P/N:
RoHS		www.ferriwo.com	APP.		Specification Sheet 1 of 1