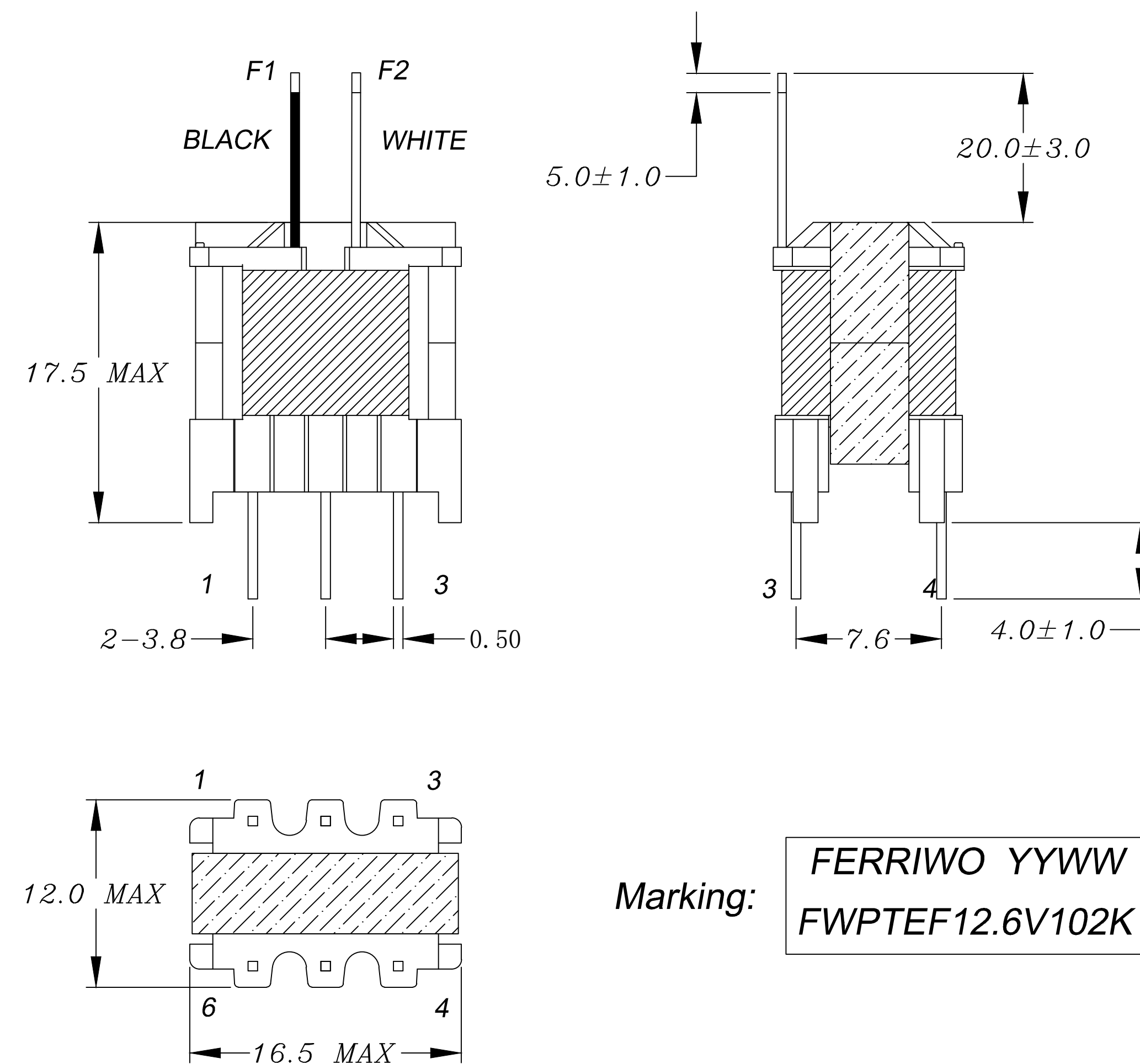


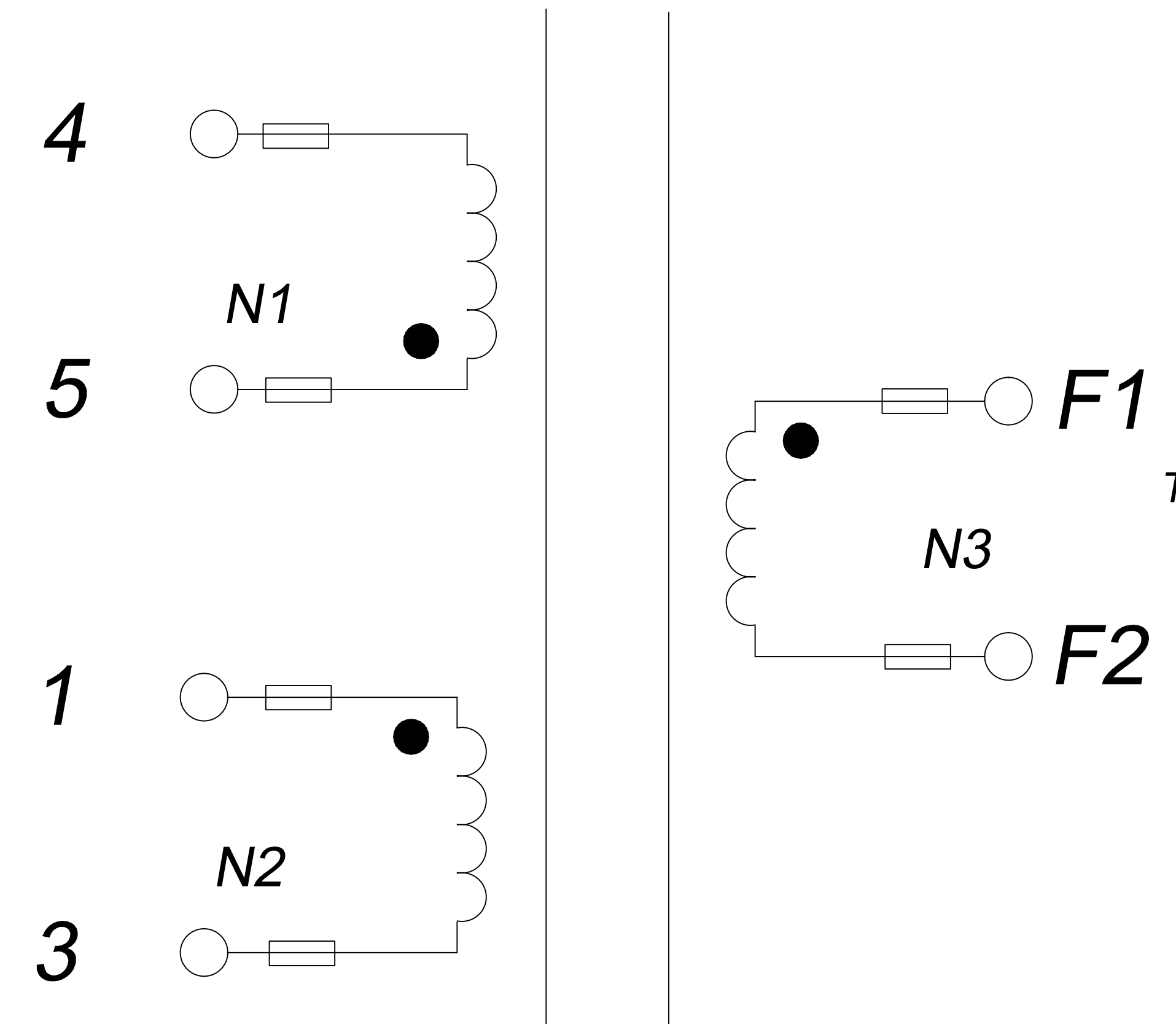
CUSTOMER TERMINAL	ROHS	Lead (Pb) -free
	YES	YES



## 1. Mechanical Dimensions



## 2. Schematic Diagram



## 3. Material List

Core:FW44-EF12.6

Bobbin:FWB1201(3+3)

Wire:2UEW-0.20/0.18mm TIW-B-0.28mm 130°C

Tube:TFL TUBE

Operating Temperature: -30 to 115°C

## 4. Electrical Specification

Inductance:  $L(4-5) = 1.0\text{mH} \pm 10\%$  15.0KHZ 1.0V

HI-POT: P-S AC 4000V 5mA 60s

N1-N2 AC 1500V 5mA 60s

P-CORE AC 1500V 5mA 60s

REV.	DATE	<p>Convention Placement</p>	DRW.	Drawing Title: <b>TRANSFORMER</b>	Part No:
0	00/00		CHK.		Customer P/N:
		www.ferriwo.com	APP.		Specification Sheet 1 of 1