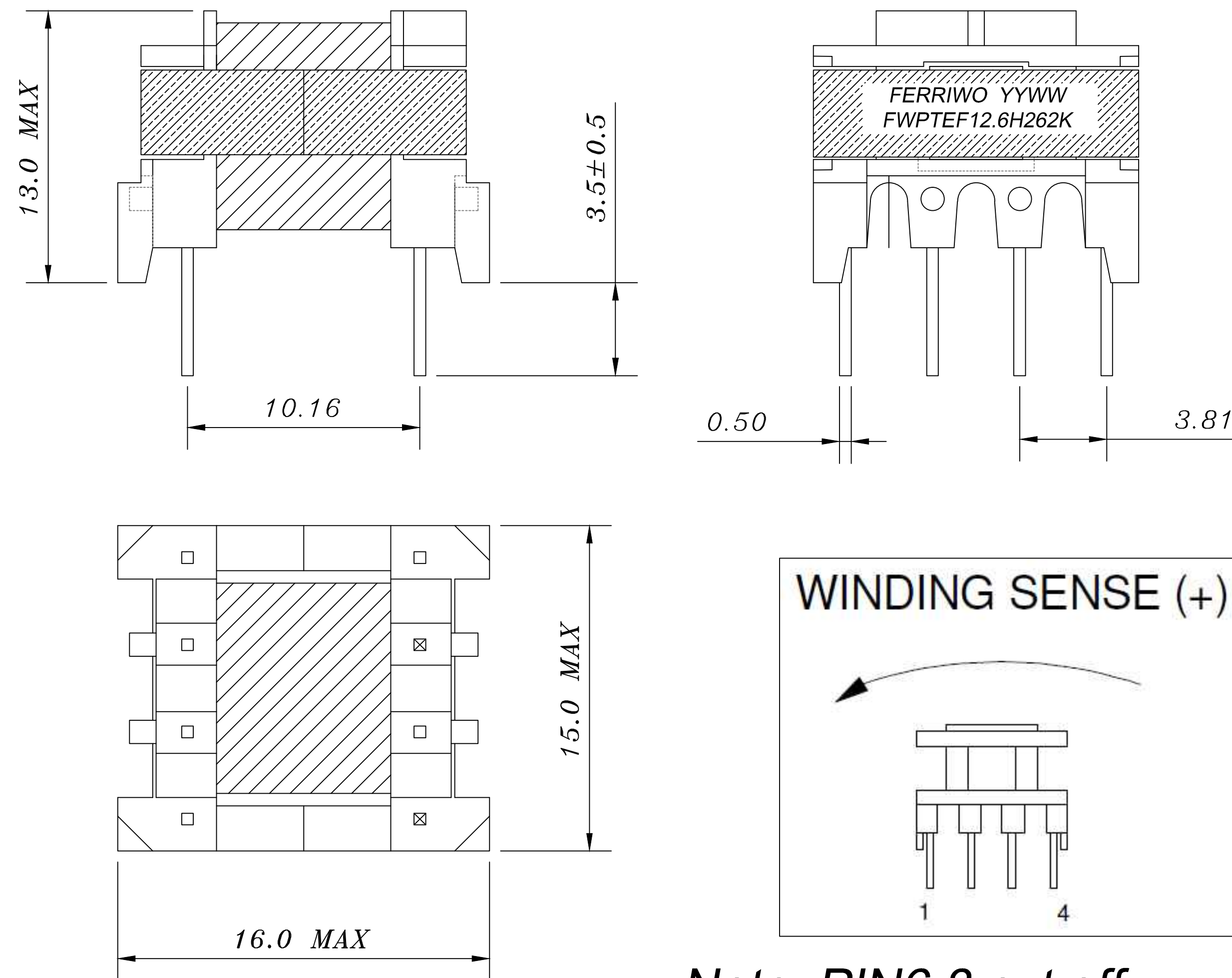


CUSTOMER TERMINAL	ROHS	Lead (Pb) -free
	YES	YES

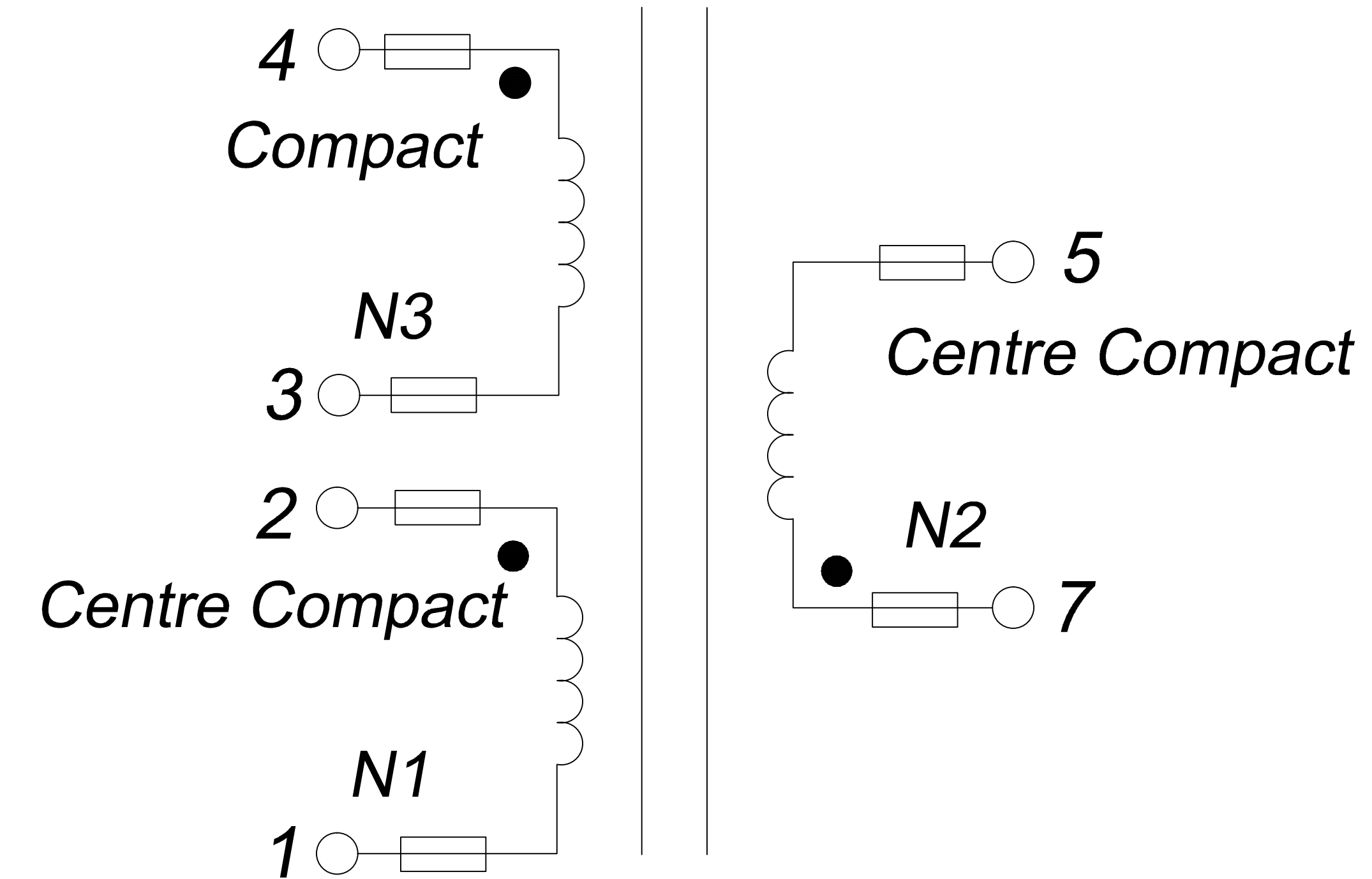


1. Mechanical Dimensions



Note: PIN6,8 cut off

2. Schematic Diagram



3. Material List

Core:FW40-EF12.6

BOBBIN:FWB1213(4+4)

Wire:2UEW 0.12mm TIW-B-0.2mm 130°C

Operating Temperature: -30 to 115°C

4. Electrical Specification

Inductance: $L(1-2)=2.65\text{mH}\pm 10\%$ 1.0KHZ 0.25V

DCR: $5.7\Omega\pm 15\%$

LK: $L(1-2)=80\mu\text{H}$ MAX short other pins

Hi-Pot: P-S AC 3.75KV 0.5mA 3S

REV.	DATE	<p>Convention Placement</p>	DRW.	Drawing Title: TRANSFORMER	Part No:
0	00/00		CHK.		Customer P/N:
		www.ferriwo.com	APP.		Specification Sheet 1 of 1