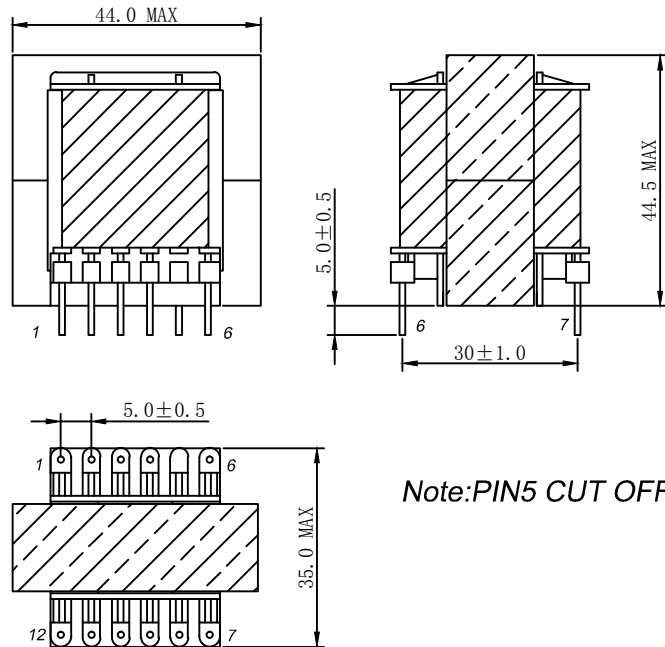


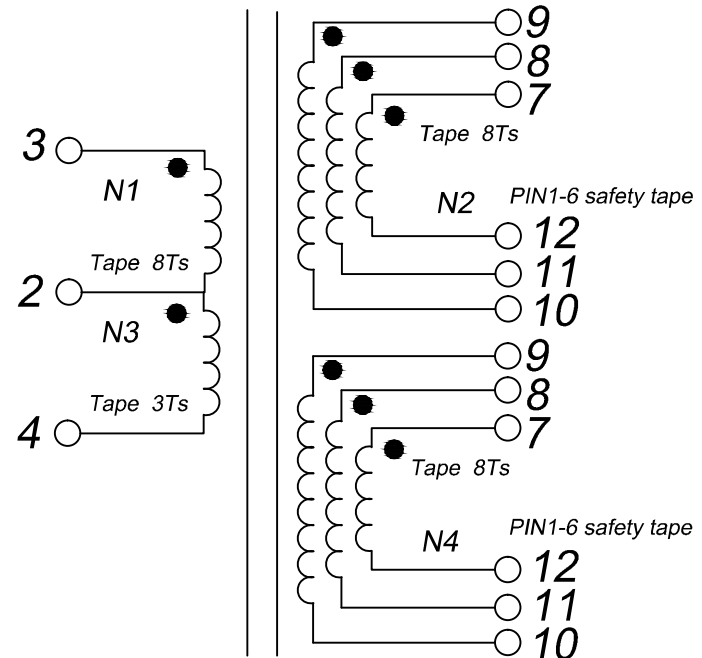
CUSTOMER TERMINAL	ROHS	Lead (Pb) -free
	YES	YES



1. Mechanical Dimensions



2. Schematic Diagram



3. Material List

Core:FW40-EE42/21/15
 Bobbin:EE42 6+6PIN
 Wire:2UEW-1.2mm 155°C TIW-0.5/0.6mm 130°C
 Operating Temperature: -40 to 70°C

4. Electrical Specification

Inductance: L (3-4) =14.7mH±25% 1.0KHZ 0.25V
 HI-POT: P-S AC 3750V 0.5mA 10S
 P,S-CORE AC 500V 0.5mA 10S

REV.	DATE	 Convention Placement	DRW.	Drawing Title: TRANSFORMER Customer P/N:	Part No: FWPTEE42V143M
0	00/00		CHK.		Specification Sheet 1 of 1
RoHS www.ferriwo.com		APP.			