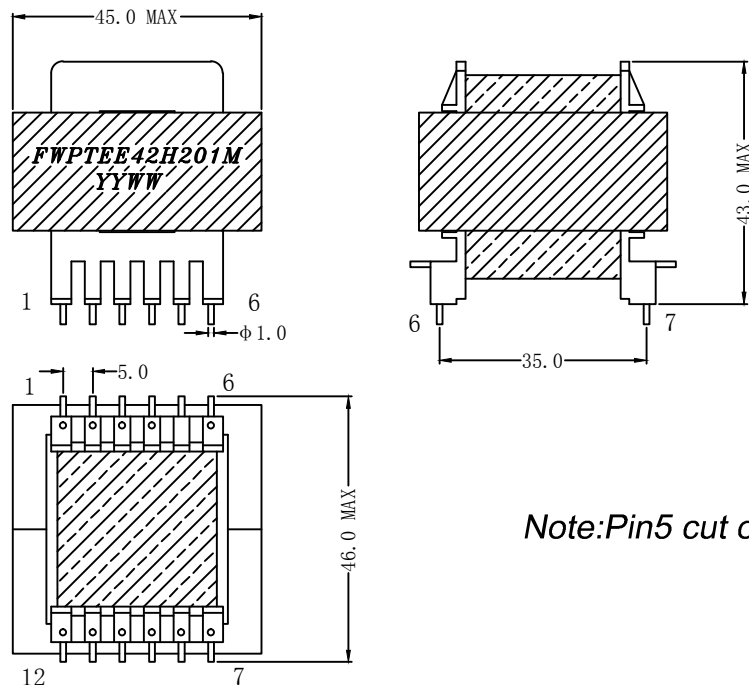


| | | |
|-------------------|------|-----------------|
| CUSTOMER TERMINAL | ROHS | Lead (Pb) -free |
| | YES | YES |

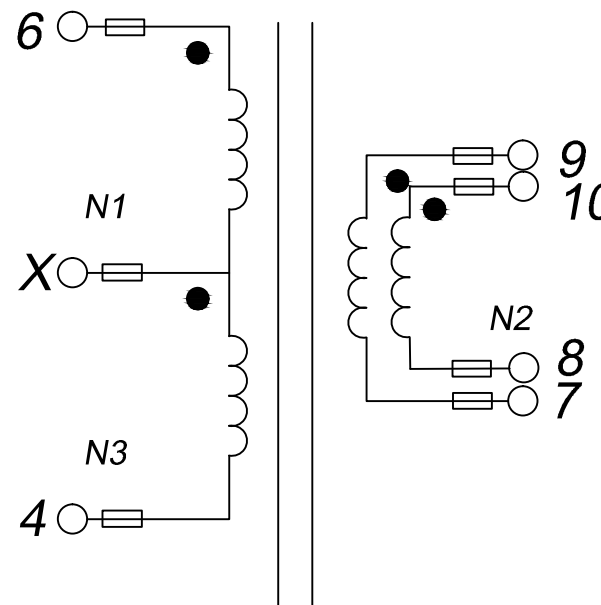


1. Mechanical Dimensions



Note: Pin5 cut off

2. Schematic Diagram



3. Material List

Core: FW40-EE42/21/20
 BOBBIN: EE4220(6+6PIN)
 Wire: LITZ 0.1mm*100 155°C
 Operating Temperature: -30 to 115°C

4. Electrical Specification

Inductance: $L(6-4) = 200\mu H \pm 20\%$ 100KHZ 1V
 Hi-Pot: P-S AC 1.0KV 5mA 3S
 P, S-CORE 1.0KV 5mA 3S

| | | | | | |
|-------------|-------|--------------------------|------|---|----------------------------|
| REV. | DATE | Convention Placement | DRW. | Drawing Title: TRANSFORMER Customer P/N: | Part No: FWPTEE42H201M |
| 0 | 00/00 | | CHK. | | Specification Sheet 1 of 1 |
| RoHS | | www.ferriwo.com | APP. | | |