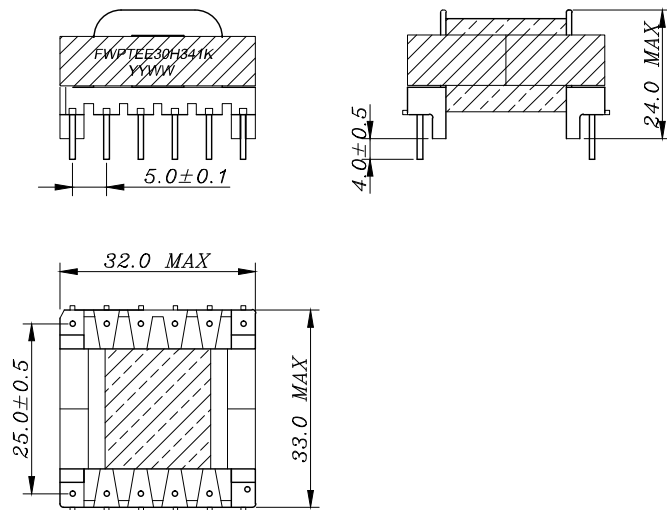


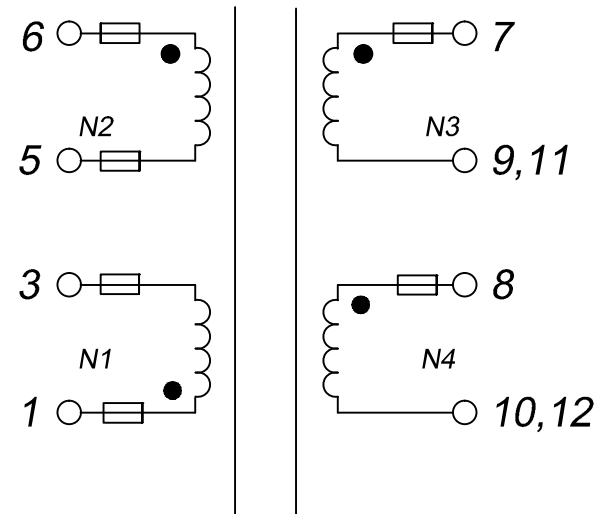
CUSTOMER TERMINAL	ROHS	Lead (Pb) -free
	YES	YES



### 1.Mechanical Dimensions



### 2.Schematic Diagram



### 3.Material List

Core:FWEE30/15/7  
 Bobbin:FWB3015 6+6PIN  
 Wire:2UEW-0.40mm 155°C  
 Tube:TFL TUBE  
 Operating Temperature: -30 to 115°C

### 4.Electrical Specification

Inductance:  $L (1-3) = 342.5\mu H \pm 10\%$  1.0KHZ 1.0V  
 HI-POT: P-S AC 3000V 2mA 60seconds  
 P-CORE AC 3000V 1mA 60seconds  
 S-CORE AC 1000V 1mA 60seconds

REV.	DATE	 Convention Placement	DRW.	Drawing Title: <b>TRANSFORMER</b> Customer P/N:	Part No: FWPTEE30H341K
0	00/00		CHK.		Specification Sheet 1 of 1
<b>RoHS</b>		<a href="http://www.ferriwo.com">www.ferriwo.com</a>	APP.		