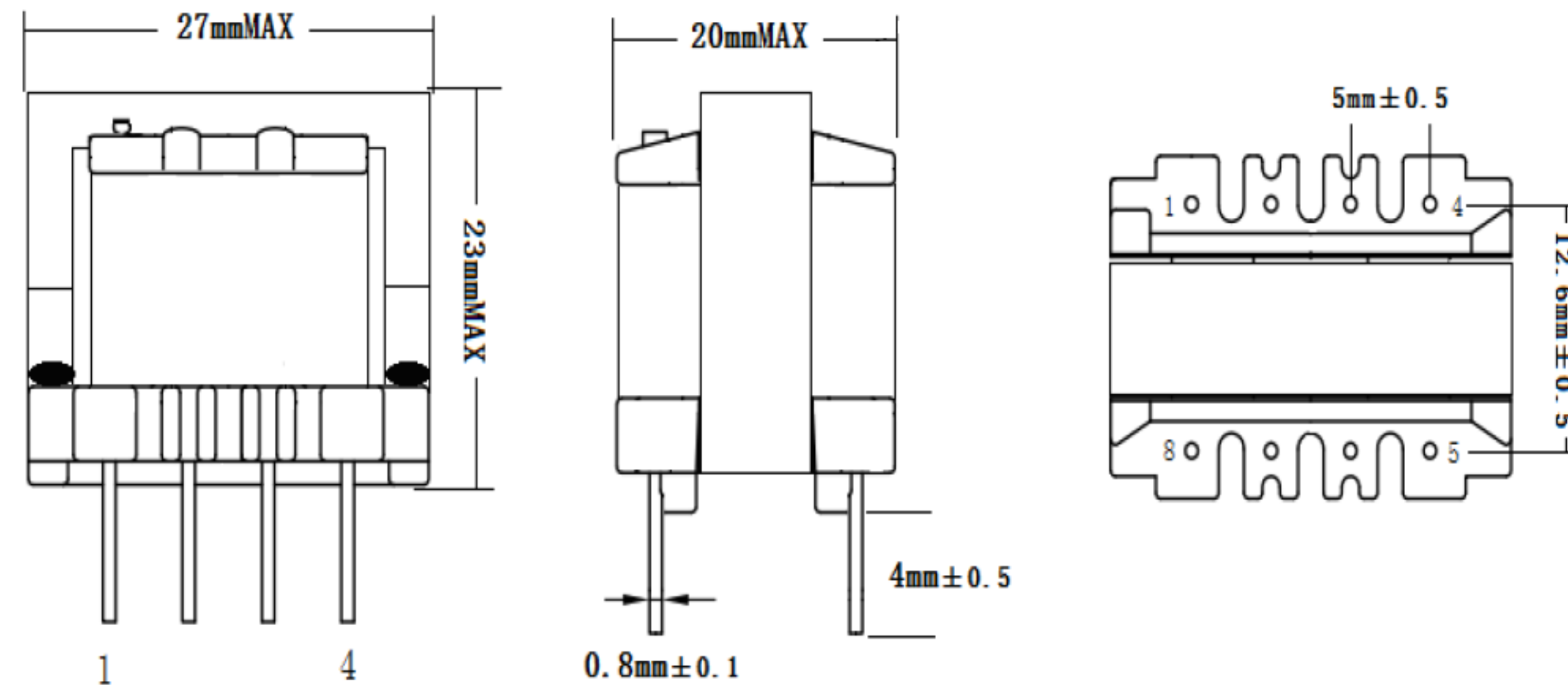


CUSTOMER TERMINAL	ROHS	Lead (Pb) -free
	YES	YES

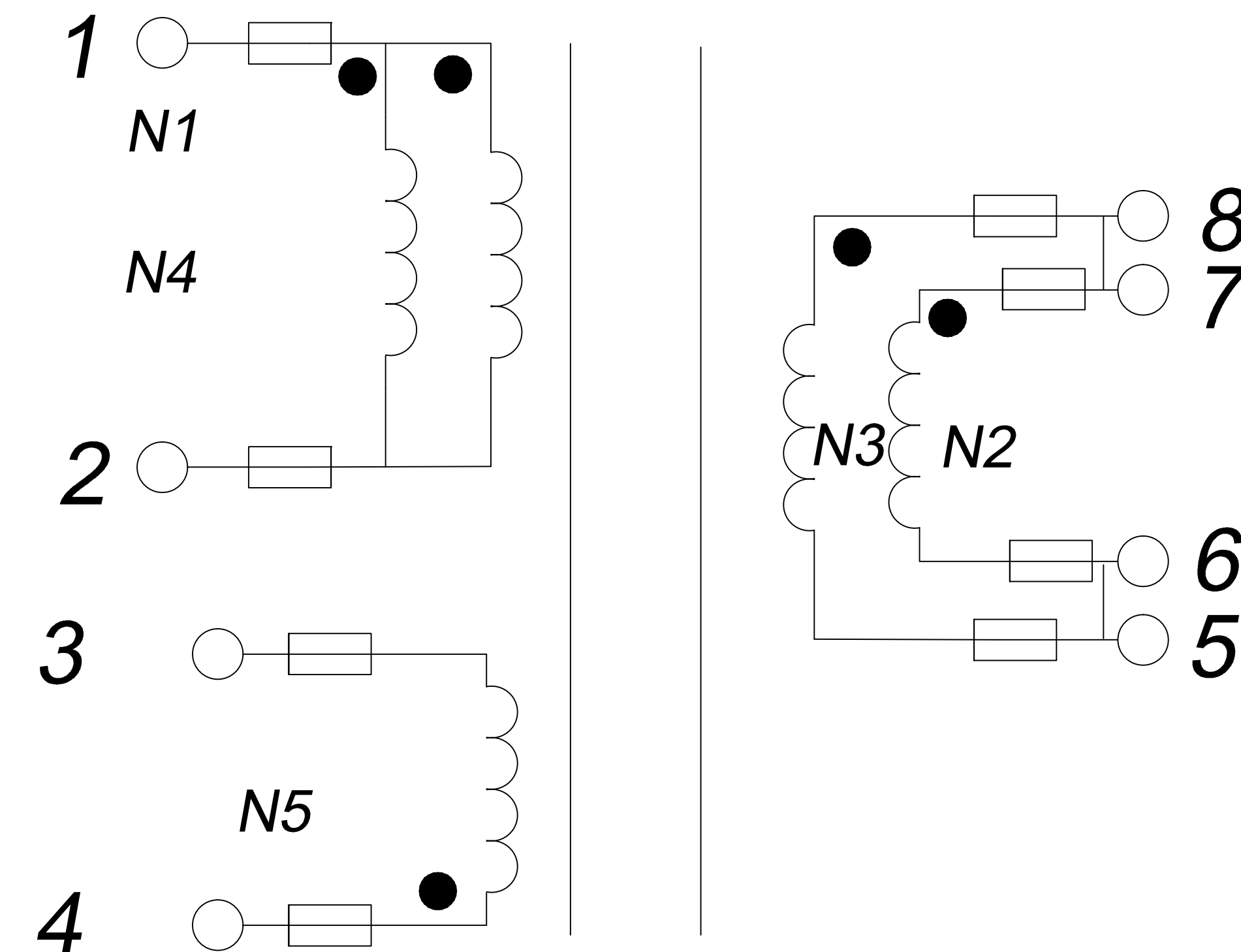


1. Mechanical Dimensions



Marking: FERRIWO YYWW
FWPTEE25V651K

2. Schematic Diagram



3. Material List

Core: FWEE25

Bobbin: FWB-2502(4+4P)

Wire: 2UEW-0.17/0.25/0.35mm 130°C

Tube: TFL TUBE

Expoy: E-500(black)

Operating Temperature: -30 to 115°C

4. Electrical Specification

Inductance: $L(1-2) = 650\mu H \pm 10\%$ 100KHZ 0.25V

Leak inductance: $LK(1-2) = 36\mu H$ MAX 100KHZ 0.25V

HI-POT: P-S AC 3000V 5mA 5s

REV.	DATE	 Convention Placement	DRW.	Drawing Title: TRANSFORMER	Part No:
0	00/00		CHK.		Customer P/N:
		www.ferriwo.com	APP.		Specification Sheet 1 of 1