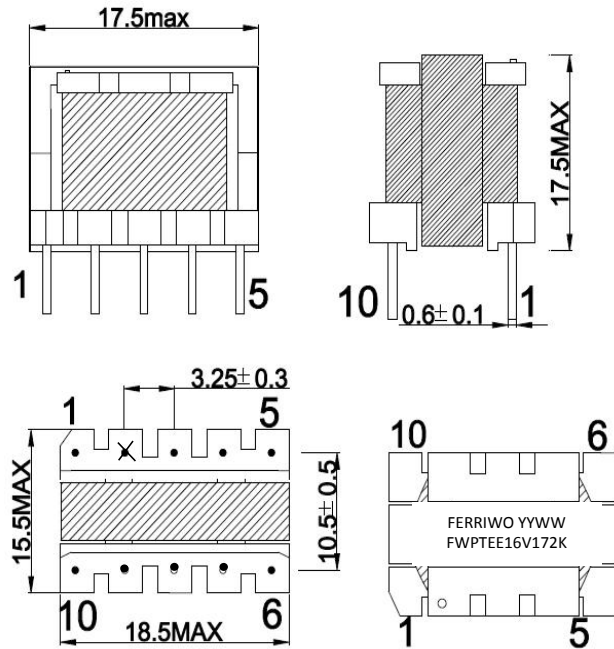


| | | |
|-------------------|------|---------------|
| CUSTOMER TERMINAL | ROHS | Lead(Pb)-free |
| | YES | YES |

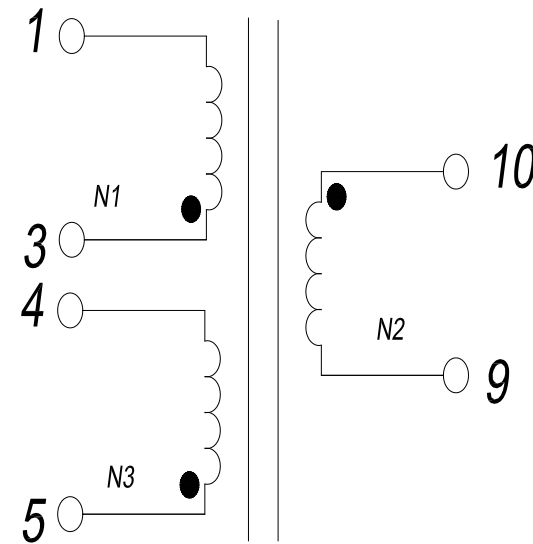


1. Mechanical Dimensions



PIN2CUTOFF

2. Schematic Diagram



3. Material List

Core:FW40 EE16
 Bobbin:FWB1601
 Wire:2UEW-0.14/0.40mm 155 °C
 Operating Temperature: -30 to115 °C

4. Electrical Specification

Inductance:L (3-1) =1700uH±10% 50KHz 1V
 Leakage Inductance : L (3-1) =6uH MAX 50KHz 1V

| | | | | | | |
|------|-------|--------------------------|------|--|----------------|---------------------------|
| REV. | DATE | Convention Placement | DRW. | | Drawing Title: | Part No: |
| 0 | 00/00 | | CHK. | | | |
| | | | APP. | | Customer P/N | Specification Sheet 1of 1 |

ROHS

www.ferriwo.com