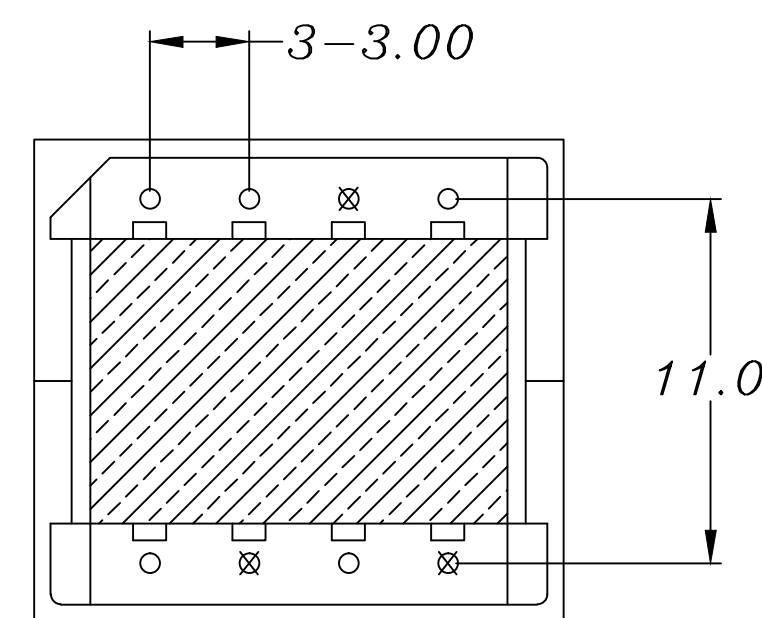
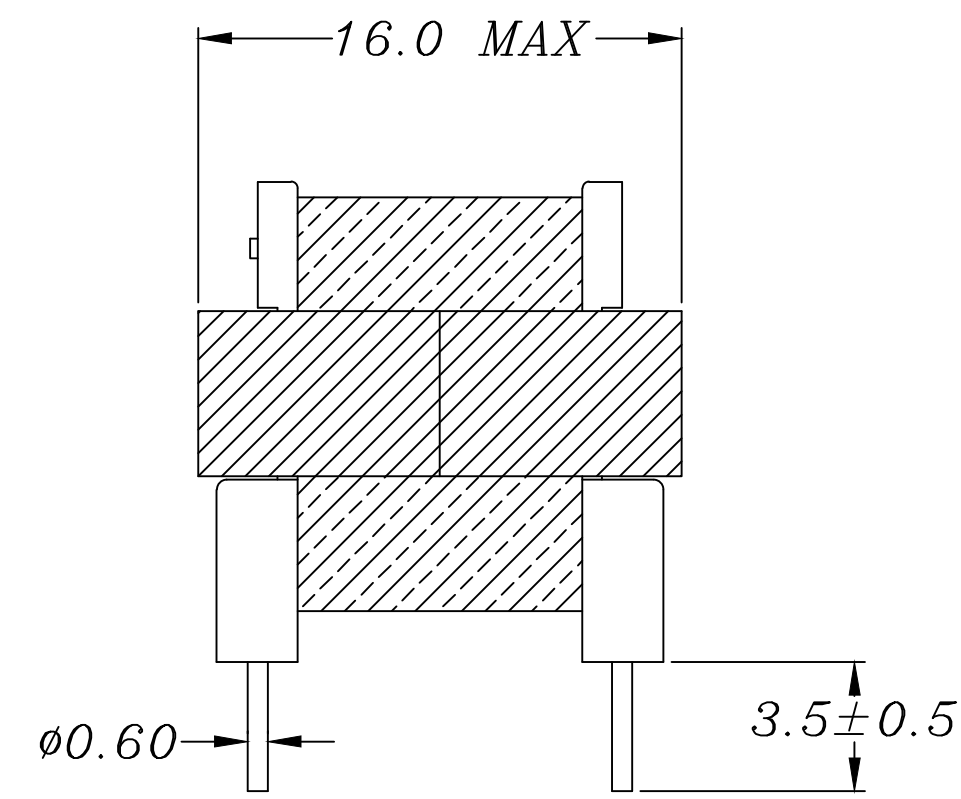
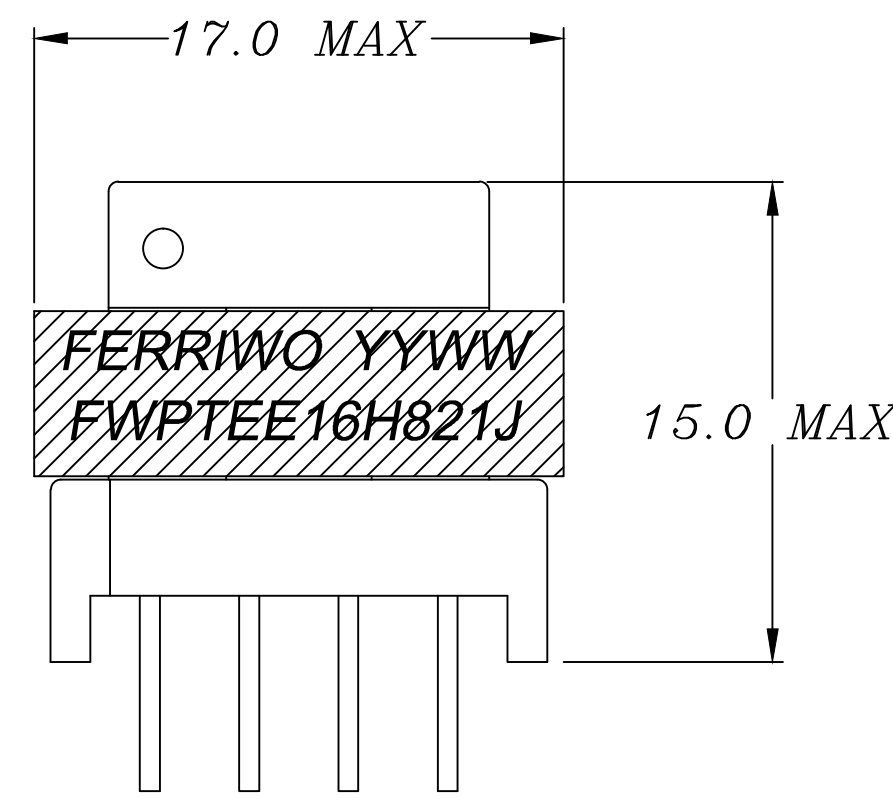


CUSTOMER TERMINAL	ROHS	Lead (Pb) -free
	YES	YES

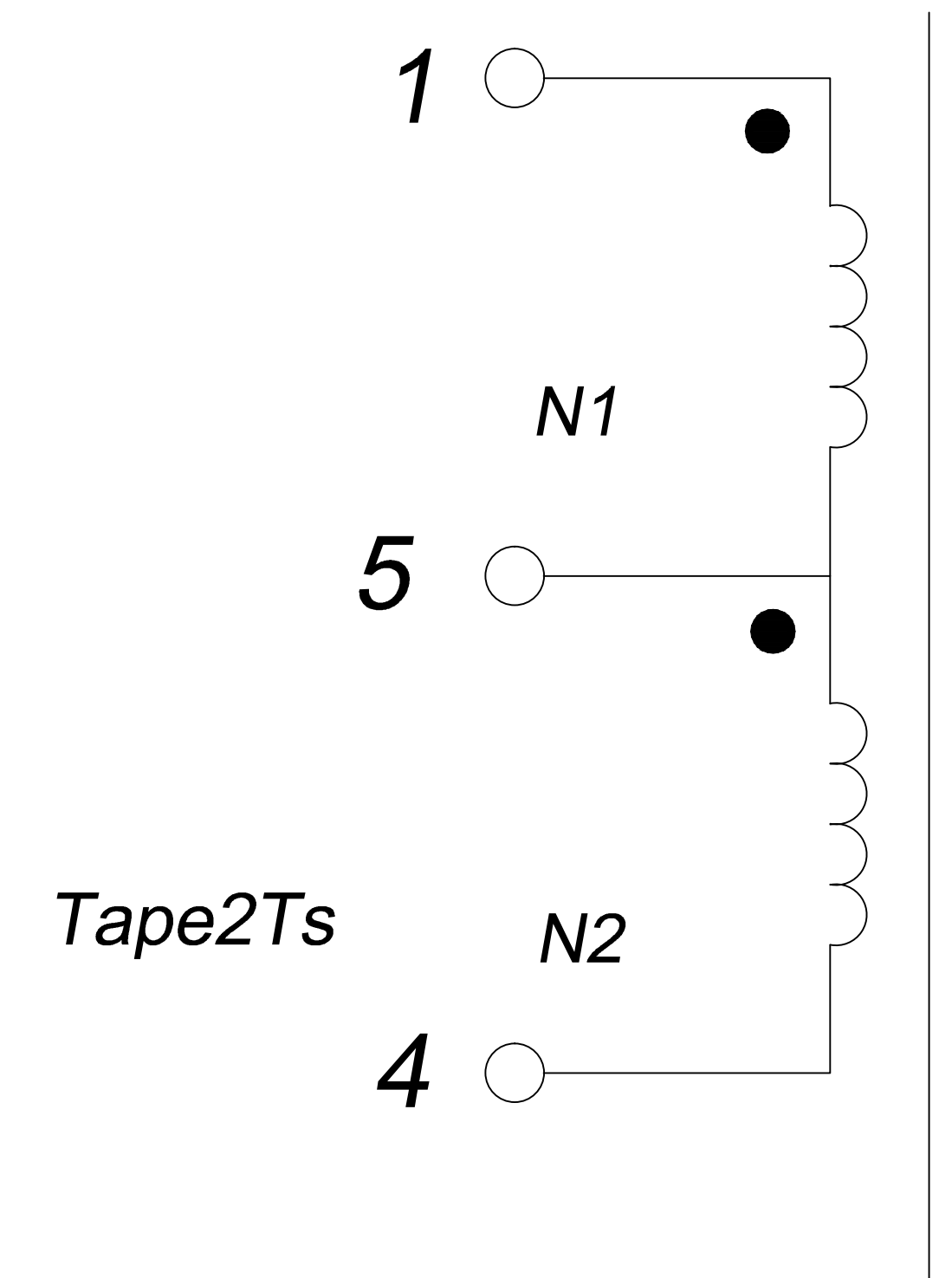


## 1. Mechanical Dimensions



Note: PIN2,3 cut off

## 2. Schematic Diagram



## 3. Material List

Core:FW40-EE16/7/5

Bobbin:FWB1608 (4+4PIN)

Wire:2UEW-B-0.27mm 155°C

Operating Temperature: -30 to 115°C

## 4. Electrical Specification

Inductance:  $L(4-1) = 820\mu H \pm 5\%$  1.0KHZ 1.0V

REV.	DATE	<p>Convention Placement</p>	DRW.	Drawing Title: <b>TRANSFORMER</b>	Part No:
0	00/00		CHK.		Customer P/N:
		www.ferriwo.com	APP.	EE16	Specification Sheet 1 of 1