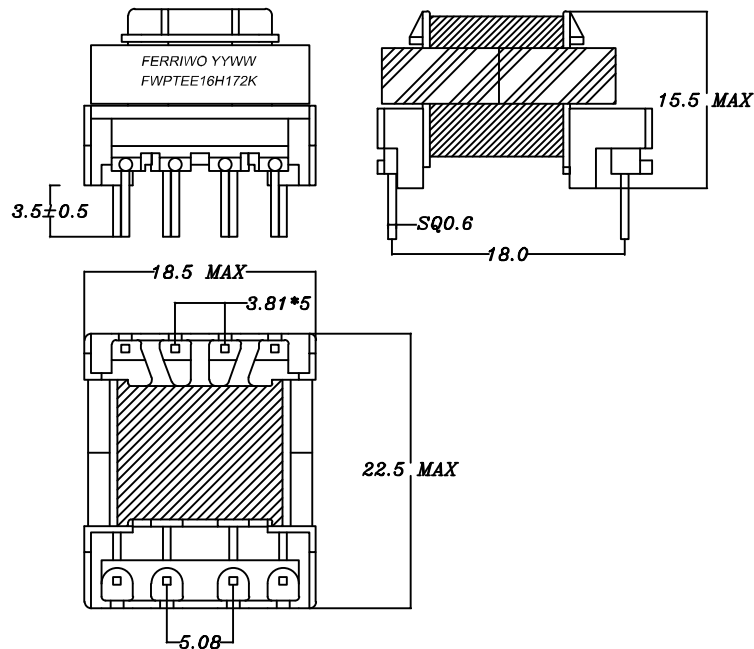


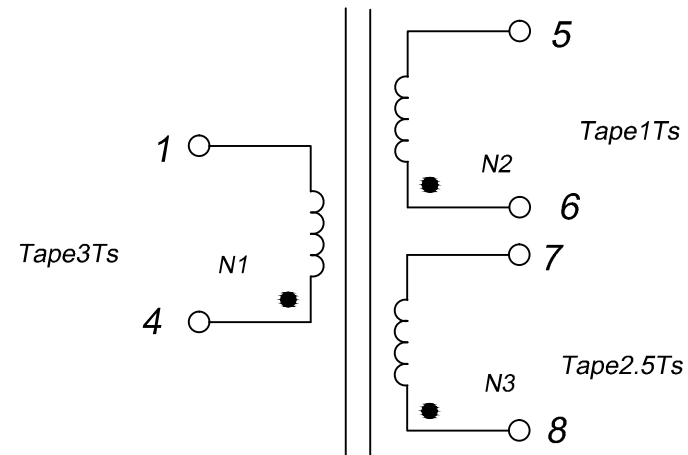
CUSTOMER TERMINAL	ROHS	Lead (Pb) -free
	YES	YES



1. Mechanical Dimensions



2. Schematic Diagram



3. Material List

Core:FW40-EE16/8/5
 Bobbin:FWB1645 (4+4PIN)
 Wire:2UEW-0.23mm TIW-0.18/0.23mm130°C
 Operating Temperature: -30 to 115°C

4. Electrical Specification

Inductance: $L(4-1) = 1.75mH \pm 10\%$ 1.0KHZ 1.0V
 DCR: $(4-1) = 1.3\Omega$ MAX
 HI-POT: P-S AC1000V3mA3seconds
 P、S-CORE AC500V3mA3seconds

REV.	DATE	 Convention Placement	DRW.	Drawing Title: TRANSFORMER Customer P/N:	Part No: FWPTEE16H172K
0	00/00		CHK.		Specification Sheet 1 of 1
RoHS www.ferriwo.com		APP.			