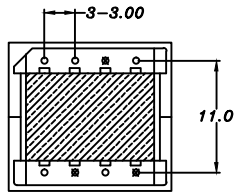
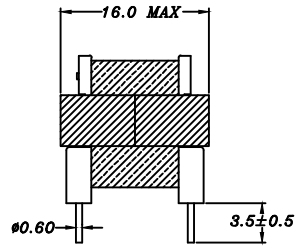
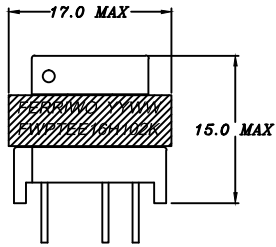


CUSTOMER TERMINAL	ROHS	Lead (Pb) -free
	YES	YES

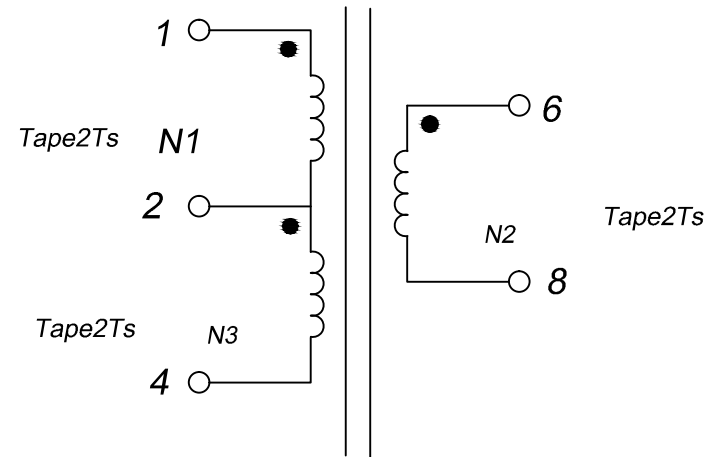


1.Mechanical Dimensions



Note: PIN3,5,7 cut off
PIN2 cut off 1/2

2.Schematic Diagram



3.Material List

Core:FW40-EE16/7/5
 Bobbin:FWB1604-Y (4+4PIN)
 Wire:2UEW-B-0.25/0.35mm 130°C
 Operating Temperature: -30 to 115°C

4.Electrical Specification

Inductance: $L(4-1) = 1.0\text{mH} \pm 10\% \text{ 1.0KHZ } 0.3\text{V}$
 HI-POT: P-S AC2500V3mA3seconds
 P、S-CORE AC500V3mA3seconds

REV.	DATE	 Convention Placement	DRW.	Drawing Title: TRANSFORMER Customer P/N:	Part No: FWPTEE16H102K
0	00/00		CHK.		Specification Sheet 1 of 1
RoHS www.ferriwo.com		APP.			