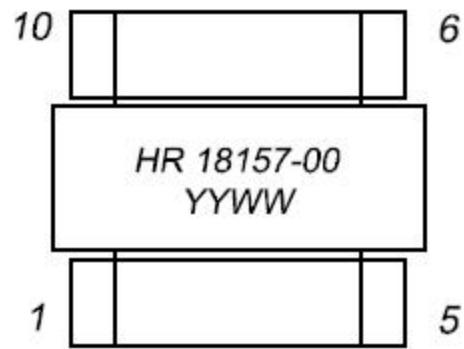
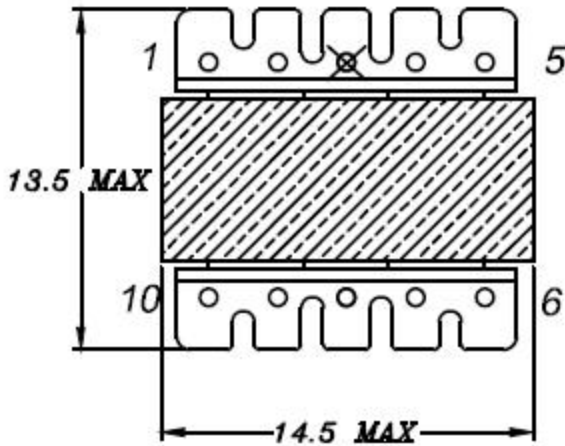
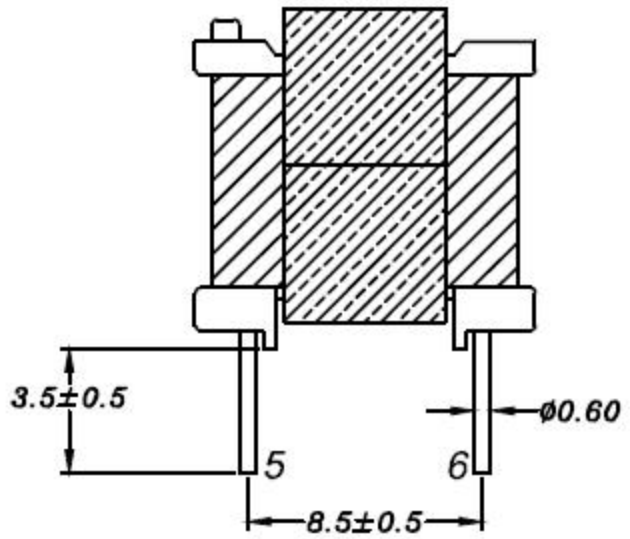
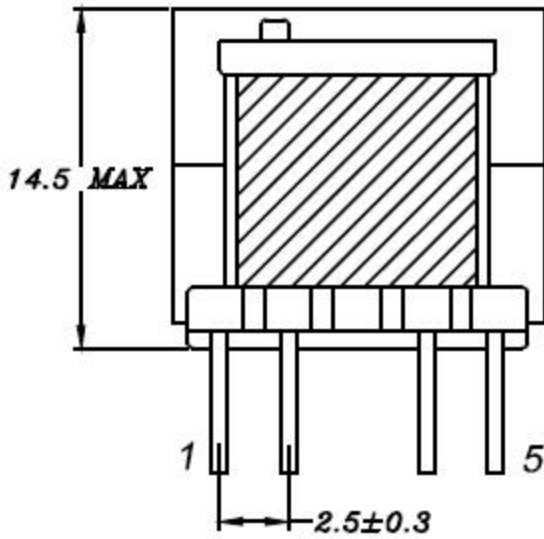


SPECIFICATION

1. PHYSICAL DIMENSION(UNIT: m/m):



Note: PIN3 cut off

- ※DIMENSIONS WITHOUT TOLERANCE ARE APPROX
- ※DIMENSION DOES NOT INCLUDE SOLDER USED ONCOILS

LEAD FREE

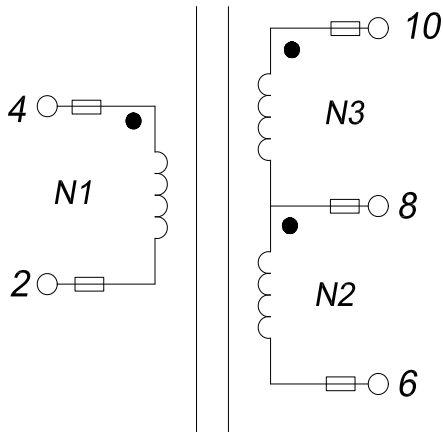
DIM	A	B	C	D	E	F	G	H	I	J	K	L
SPEC												

DESCRIPTION	TRANSFORMER
Customer P/N	
FERRIWO P/N	FWPTEE13V222K

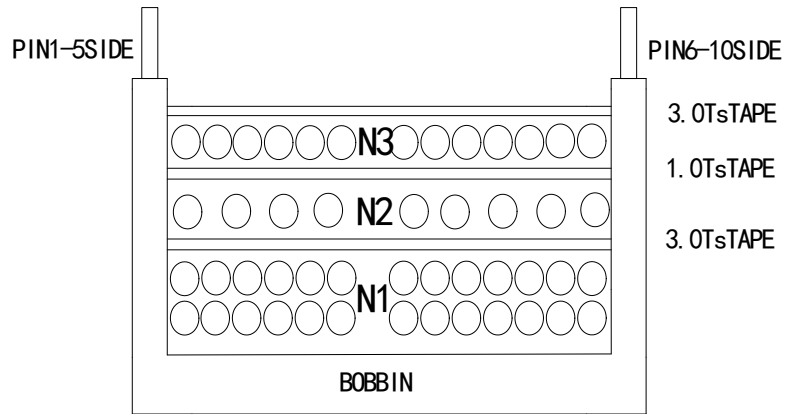
SPEC. NO.	PS-1001-063	PREPARED		APPROVED	
-----------	-------------	----------	--	----------	--

SPECIFICATION

2. WINDING TABLE:



3. WINDING:



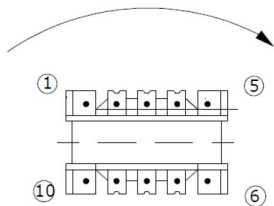
4. WINDING TABLE:

Winding NO.	Margin Tape	PIN	Wire & Wire Copper	Turns	Winding Type	Tape Layer	Tube
N1	0	4~2			Compact	3.0	F=S≈10mm
N2	0	8~6			Dispersed	1.0	F=S≈10mm
N3	0	10~8			Compact	3.0	F=S≈10mm

NOTE:

1. Products should be vacuum varnish
 - *VARNISH RATIO: 1:1
 - *VACUUM TIME: 15~20minutes
 - *BAKED TEMPERATURE : 120°C±10°C, 1~1.5hours

WINDING SENSE (-)



LEAD FREE



DESCRIPTION	TRANSFORMER
Customer P/N	
FERRIWO P/N	FWPTEE13V222K

SPEC. NO.	PS-1001-063	PREPARED		APPROVED	
-----------	-------------	----------	--	----------	--




SPECIFICATION

5. ELECTRONICAL CHARACTERISTIC:

TEST CONDITION : TEMPERATURE AT 25°C
HUMIDITY AT 65 ±5% RH

TEST ITEM	TEST CONDITION	RESULT
INDUCTANCE CH-3250	@1.0KHz,1.0V (2~4) (6~8) (6~10)	2.2mH ± 10% 7.2uH ± 10% 39uH ± 10%
LEAKAGE INDUCTANCE CH-3250	@100.0KHz,1.0V short(pin6,8,10)	118uH MAX
D.C.R TH2513A	@at25°C (2~4) (6~8) (6~10)	2.366Ω ± 15% 78mΩ ± 15% 187mΩ ± 15%
HI-POT TEST CH-9052	@ 5mA 60SEC (AC)	P<->S<-> CORE 3.75KV;

LEAD FREE

	DESCRIPTION	TRANSFORMER			
	Customer P/N				
	FERRIWO P/N	FWPTEE13V222K			
SPEC. NO.	PS-1001-063	PREPARED		APPROVED	

SPECIFICATION

6. MATERIAL LIST :

ITEM		MATERIAL	SUPPLIER OR MANUFACTURER	TEMPRATING
1	CORE	FW40 OR EQUIVALENT	HAINING FERRIWO ELECTRONICS CO., LTD.	
2	BOBBIN	PHENOLIC OR EQUIVALENT	SUMITOMO BAKELITE CO., LTD. UL NO E41429	150°C
3	WIRE	2UEW	PACIFIC ELECTRIC WIRE&CABLE(SHENZHEN) CO. LTD UL NO E2114423	155°C
4	TRIPLE WIRE	TRIPLE. INSULATION. WIRE TRW(B)	GREAT LEOFLON INDUSTRIAL CO.,LTD UL NO E211989	130°C
5	TAPE	CT280	YAHUA STICKING TAPE CO.,LTD UL NO E165111	130°C
6	VARNISH	T-4260(A)	SUZHOU TAIHU ELECTRIC ADVANCED MATERIAL CO, LTD UL NO E228349	130°C
7	FLUX	TF9100	LINAN GUITONG CHEMICAL TECHNICAL CO.,LTD	
8	TIN	Sn99.3Cu0.7	HAINING ZHUCHANG METAL FOIL CO;LTD	
9	TUBE	TEFLON TUBE	GREAT HOLDING INDUSTRIAL CO.,LTD UL NO E156256	200°C

LEAD FREE



DESCRIPTION

TRANSFORMER

Customer P/N

FERRIWO P/N

FWPTEE13V222K

SPEC. NO.

PS-1001-063

PREPARED



APPROVED

