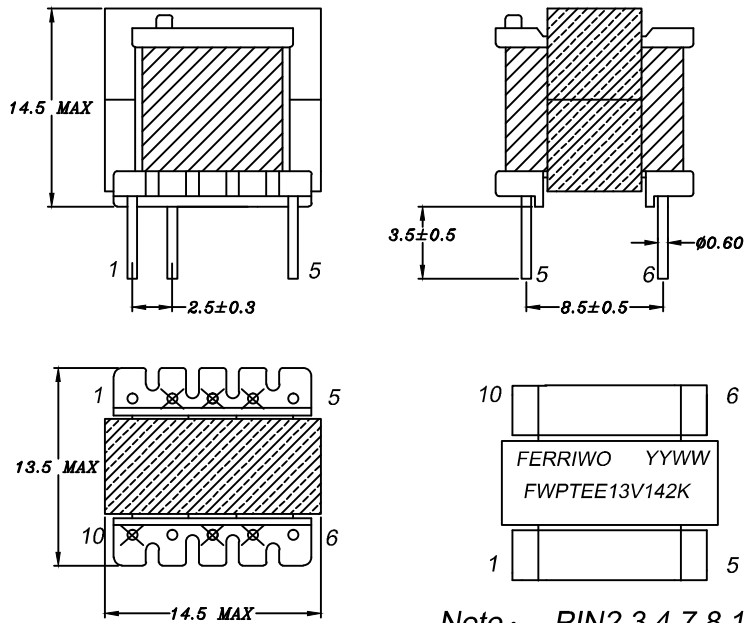


CUSTOMER TERMINAL	ROHS	Lead (Pb) -free
	YES	YES

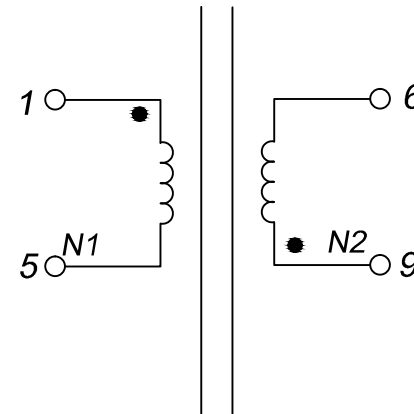


### 1.Mechanical Dimensions



Note: PIN2,3,4,7,8,10 cut off

### 2.Schematic Diagram



### 3.Material List

Core:FW40-EE13/6/6  
BOBBIN:FWB1302-Y (5+5)  
Wire:2UEW 0.18/0.25mm 130°C  
Operating Temperature: -30 to 115°C

### 4.Electrical Specification

Inductance: L(1-5)=1.4mH±10% 1.0KHZ 0.3V  
Hi-Pot: P-S AC 2.5KV 3mA 3S  
P、S-COREAC 0.5KV 3mA 3S

REV.	DATE	 Convention Placement	DRW.	Drawing Title: <b>TRANSFORMER</b> Customer P/N:	Part No:
1.0	0/0/0		CHK.		FWPTEE13V142K
<b>RoHS</b>		www.ferriwo.com	APP.		Specification Sheet 1 of 1