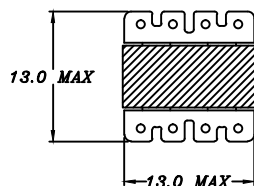
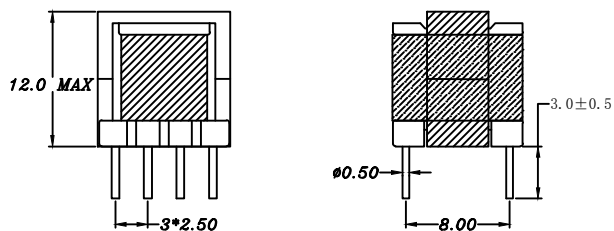


CUSTOMER TERMINAL	ROHS	Lead (Pb) -free
	YES	YES

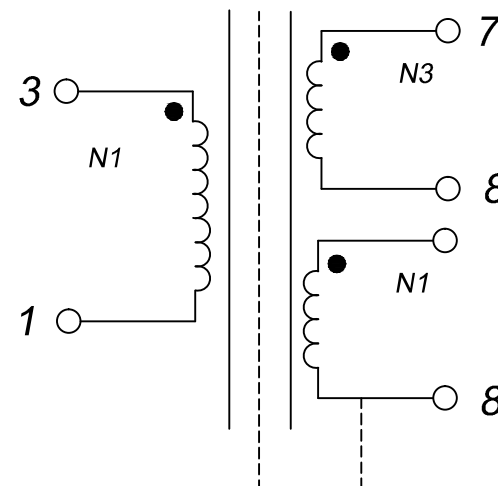


1. Mechanical Dimensions



Note: 1 turn of 6.5 mm copper foil around assembly and solder the tape seal. Solder 0.5mm buss wire to the copper shield and terminate at pin 8

2. Schematic Diagram



3. Material List

Core:FW40-EE10/11/5
 Bobbin:FWB1002(4+4P)
 Wire:2UEW-0.16/0.08/0.4/0.5mm 155°C
 Copper foil: 0.025t*6.5mm
 Operating Temperature: -30 to 115°C

4. Electrical Specification

Inductance: $L(3-1) = 2.0\text{mH} \pm 10\%$ 100.0KHZ 0.4V
 HI-POT: P-S AC 1000V 3mA 2S
 P、S-CORE AC 500V 3mA 2S

REV.	DATE	 Convention Placement	DRW.	Drawing Title: TRANSFORMER	Part No:
0	09/11		CHK.		Customer P/N:
RoHS		www.ferriwo.com	APP.	EE10	Specification Sheet 1 of 1