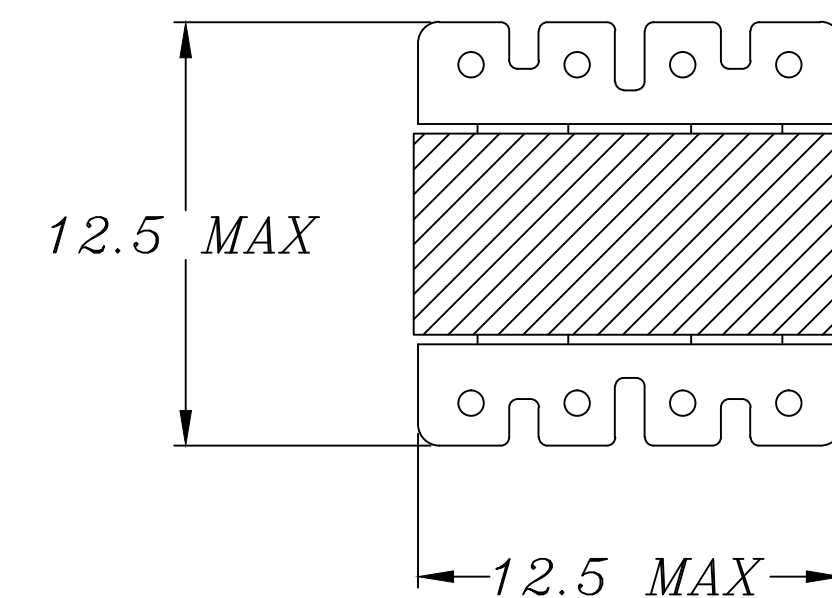
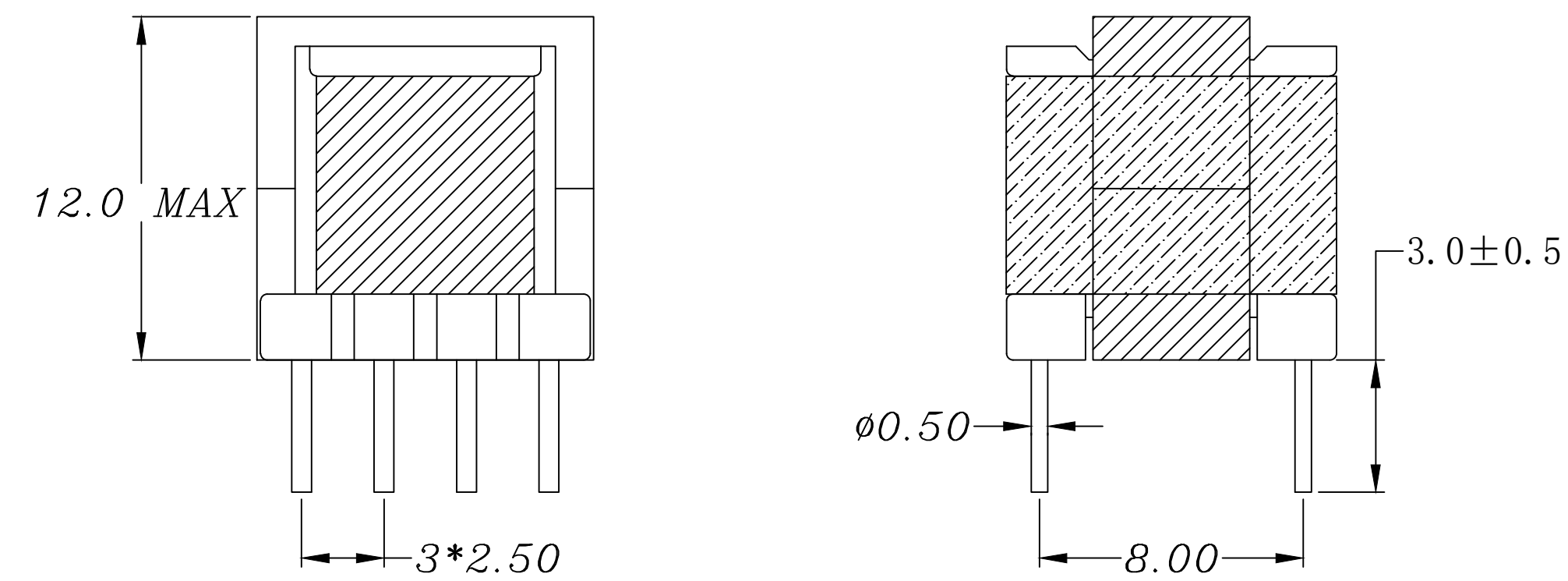


CUSTOMER TERMINAL	ROHS	Lead (Pb) -free
	YES	YES

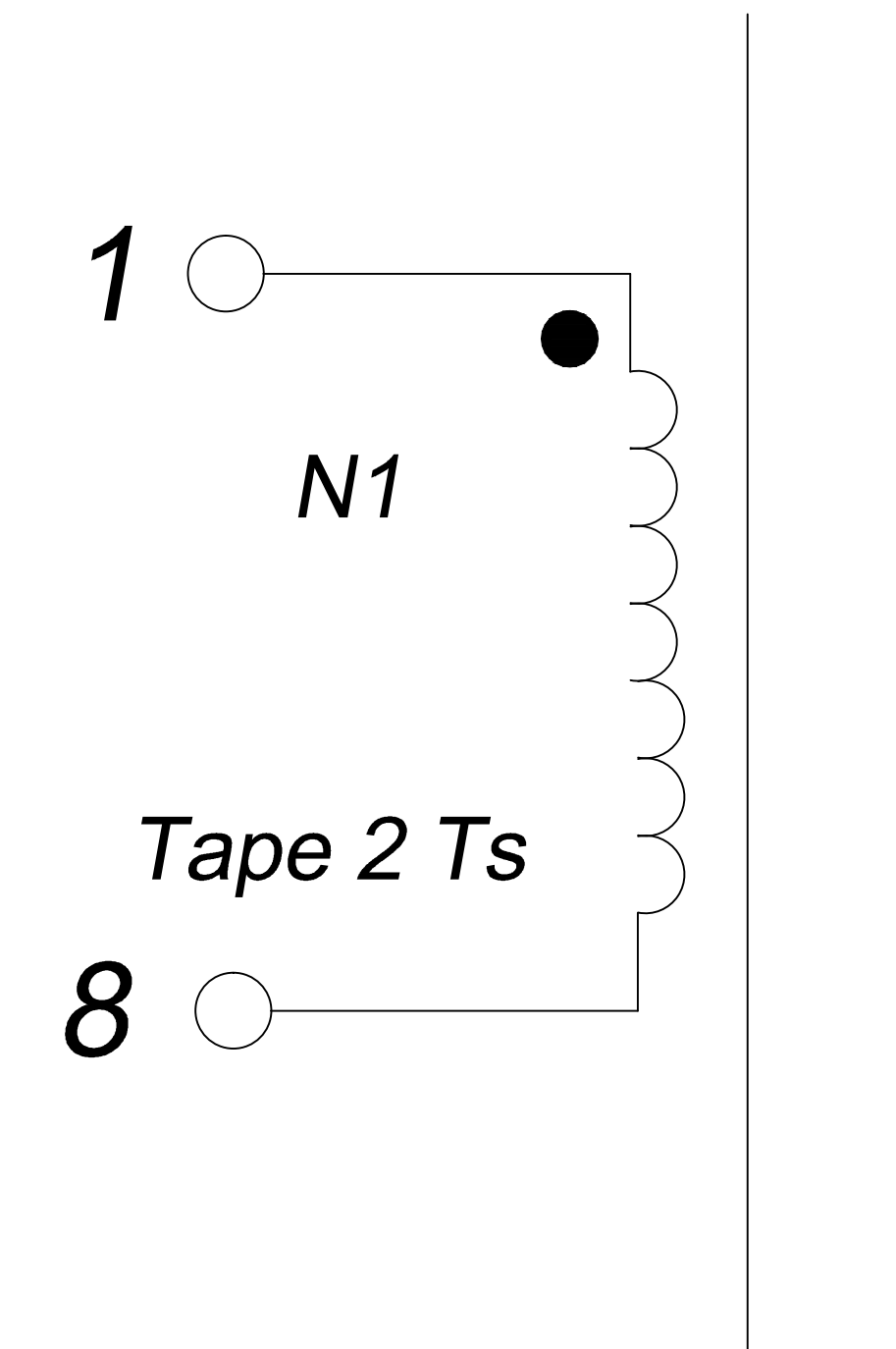


1. Mechanical Dimensions



Note: PIN2,3,6,7 cut off

2. Schematic Diagram



3. Material List

Core:FW40-EE10/11/5
 Bobbin:FWB1001-Y
 Wire:2UEW-B-0.15mm 130°C
 Varnish: R-1038
 Operating Temperature: -30 to 115°C

4. Electrical Specification

Inductance: $L (1-8) = 2.0\text{mH} \pm 5\% 40.0\text{KHZ } 1.0\text{V}$

REV.	DATE	 Convention Placement	DRW.	Drawing Title: TRANSFORMER Customer P/N:	Part No:
0	00/00		CHK.		FWPTEE10V202J
		www.ferriwo.com	APP.		Specification Sheet 1 of 1